

EVALUATION KIT  
AVAILABLE



## 3A, 2MHz Step-Down Regulator with Integrated Switches

MAX8643

### General Description

The MAX8643 high-efficiency switching regulator delivers up to 3A load current at output voltages from 0.6V to  $(0.9 \times V_{IN})$ . The IC operates from 2.35V to 3.6V, making it ideal for on-board point-of-load and postregulation applications. Total output error is less than  $\pm 1\%$  over load, line, and temperature.

The MAX8643 features fixed-frequency PWM mode operation with a switching frequency range of 500kHz to 2MHz set by an external resistor. High-frequency operation allows for an all-ceramic capacitor design. The high operating frequency also allows for small-size external components.

The low-resistance on-chip nMOS switches ensure high efficiency at heavy loads while minimizing critical inductances, making the layout a much simpler task with respect to discrete solutions. Following a simple layout and footprint ensures first-pass success in new designs.

The MAX8643 comes with a high-bandwidth ( $> 14\text{MHz}$ ) voltage-error amplifier. The voltage-mode control architecture and the voltage-error amplifier permit a type III compensation scheme to be utilized to achieve maximum loop bandwidth, up to 20% of the switching frequency. High loop bandwidth provides fast transient response, resulting in less required output capacitance and allowing for all-ceramic capacitor designs.

The MAX8643 provides two tri-state logic inputs to select one of nine preset output voltages. The preset output voltages allow customers to achieve  $\pm 1\%$  output-voltage accuracy without using expensive 0.1% resistors. In addition, the output voltage can be set to any customer value by either using two external resistors at the feedback with 0.6V internal reference or applying an external reference voltage to the REFIN input. The MAX8643 offers programmable soft-start time using one capacitor to reduce input inrush current. The MAX8643 is available in a lead-free, 24-pin, 4mm x 4mm thin QFN package.

### Applications

POLs  
ASIC/CPU/DSP Core and I/O Voltages  
DDR Power Supplies  
Base-Station Power Supplies  
Telecom and Networking Power Supplies  
RAID Control Power Supplies

Pin Configuration appears at end of data sheet.

### Features

- ◆ Internal  $37\text{m}\Omega$   $R_{\text{DS(on)}}$  MOSFETs
- ◆ Continuous 3A Output Current
- ◆  $\pm 1\%$  Output Accuracy Over Load, Line, and Temperature
- ◆ Operates from 2.35V to 3.6V Supply
- ◆ Adjustable Output from 0.6V to  $(0.9 \times V_{\text{IN}})$
- ◆ Soft-Start Reduces Inrush Supply Current
- ◆ 500kHz to 2MHz Adjustable Switching Frequency
- ◆ Compatible with Ceramic, Polymer, and Electrolytic Output Capacitors
- ◆ VID-Selectable Output Voltages  
0.6, 0.7, 0.8, 1.0, 1.2, 1.5, 1.8, 2.0, and 2.5V
- ◆ Fully Protected Against Overcurrent and Overtemperature
- ◆ Sink/Source Current in DDR Application
- ◆ Lead-Free, 24-Pin, 4mm x 4mm Thin QFN Package

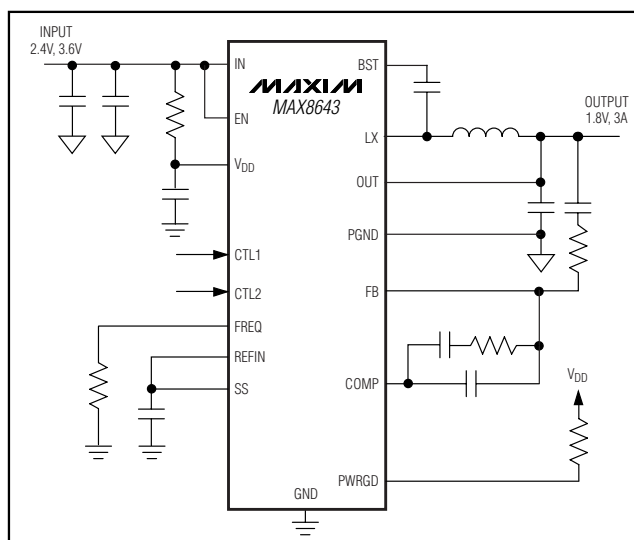
### Ordering Information

PART	TEMP RANGE	PIN-PACKAGE	PKG CODE
MAX8643ETG+	-40°C to +85°C	24 Thin QFN-EP* 4mm x 4mm	T2444-4

+ Denotes lead-free package.

\*EP = Exposed pad.

### Typical Operating Circuit



# 3A, 2MHz Step-Down Regulator with Integrated Switches

## ABSOLUTE MAXIMUM RATINGS

IN, V<sub>DD</sub>, PWRGD to GND .....-0.3V to +4.5V  
 COMP, FB, REFIN, OUT,  
 CTL<sub>1</sub>, EN, SS, FREQ to GND .....-0.3V to (V<sub>DD</sub> + 0.3V)  
 LX Current (Note 1) .....-4A to +4A  
 BST to LX .....-0.3V to +4V  
 PGND to GND .....-0.3V to +0.3V

Continuous Power Dissipation (T<sub>A</sub> = +70°C)  
 24-Pin TQFN-EP  
 (derated 27.8mW/°C above +70°C) .....2222.2mW  
 Operating Temperature Range .....-40°C to +85°C  
 Junction Temperature .....+150°C  
 Storage Temperature Range .....-65°C to +150°C  
 Lead Temperature (soldering, 10s) .....+300°C

**Note 1:** LX has internal clamp diodes to GND and IN. Applications that forward bias these diodes should take care not to exceed the IC's package power dissipation limits.

Stresses beyond those listed under "Absolute Maximum Ratings" may cause permanent damage to the device. These are stress ratings only, and functional operation of the device at these or any other conditions beyond those indicated in the operational sections of the specifications is not implied. Exposure to absolute maximum rating conditions for extended periods may affect device reliability.

## ELECTRICAL CHARACTERISTICS

(V<sub>IN</sub> = V<sub>DD</sub> = 3.3V, V<sub>FB</sub> = 0.5V, T<sub>A</sub> = -40°C to +85°C. Typical values are at T<sub>A</sub> = +25°C, circuit of Figure 1, unless otherwise noted.) (Note 2)

PARAMETER	CONDITIONS		MIN	TYP	MAX	UNITS
<b>IN/V<sub>DD</sub></b>						
IN and V <sub>DD</sub> Voltage Range			2.35		3.60	V
IN Supply Current	f <sub>S</sub> = 1MHz, no load (includes gate-drive current)	V <sub>IN</sub> = 2.5V		4	4.6	mA
		V <sub>IN</sub> = 3.3V		5.5		
V <sub>DD</sub> Supply Current	f <sub>S</sub> = 1MHz	V <sub>IN</sub> = 2.5V		1.4	2.3	mA
		V <sub>IN</sub> = 3.3V		2		
Total Shutdown Current from IN and V <sub>DD</sub>	V <sub>IN</sub> = V <sub>DD</sub> = V <sub>BST</sub> - V <sub>LX</sub> = 3.6V, V <sub>EN</sub> = 0V				13	μA
V <sub>DD</sub> Undervoltage Lockout Threshold	LX starts/stops switching	V <sub>DD</sub> rising		2	2.1	V
		V <sub>DD</sub> falling	1.8	1.9		
		Deglitching		2		μs
<b>BST</b>						
BST Supply Current	V <sub>BST</sub> = V <sub>DD</sub> = V <sub>IN</sub> = 3.6V, V <sub>LX</sub> = 3.6V or 0V, V <sub>EN</sub> = 0V	T <sub>A</sub> = +25°C			5	μA
		T <sub>A</sub> = +85°C		10		
<b>PWM COMPARATOR</b>						
PWM Comparator Propagation Delay	10mV overdrive			20		ns
<b>COMP</b>						
COMP Clamp Voltage, High	V <sub>IN</sub> = 2.35V to 3.6V			2		V
COMP Slew Rate				1.4		V/μs
PWM Ramp Amplitude				1		V
COMP Shutdown Resistance	From COMP to GND, V <sub>EN</sub> = V <sub>SS</sub> = 0V			8		Ω
<b>ERROR AMPLIFIER</b>						
Preset Output-Voltage Accuracy	REFIN = SS		-1	Select from Table 1	+1	%
FB Regulation Accuracy Using External Resistors	CTL1 = CTL2 = GND		0.594	0.600	0.606	V
FB to OUT Resistor	All VID settings except CTL1 = CTL2 = GND		5	8	11	kΩ

# 3A, 2MHz Step-Down Regulator with Integrated Switches

**MAX8643**

## ELECTRICAL CHARACTERISTICS (continued)

( $V_{IN} = V_{DD} = 3.3V$ ,  $V_{FB} = 0.5V$ ,  $T_A = -40^{\circ}C$  to  $+85^{\circ}C$ . Typical values are at  $T_A = +25^{\circ}C$ , circuit of Figure 1, unless otherwise noted.) (Note 2)

PARAMETER	CONDITIONS		MIN	TYP	MAX	UNITS	
Open-Loop Voltage Gain	1k $\Omega$ from COMP to GND			115		dB	
Error-Amplifier Unity-Gain Bandwidth	Parallel 10k $\Omega$ , 40pF from COMP to GND (Note 3)		14	26		MHz	
Error-Amplifier Common-Mode Input Range	$V_{DD} = 2.35V$ to $2.6V$		0	$V_{DD} - 1.65$		V	
	$V_{DD} = 2.6V$ to $3.6V$		0	$V_{DD} - 1.7$			
Error-Amplifier Minimum Output Current	$V_{COMP} = 1V$	Sourcing	1000			$\mu A$	
		Sinking	-500				
FB Input Bias Current	$V_{FB} = 0.7V$ , $CTL1 = CTL2 =$	$T_A = +25^{\circ}C$	-200	-40		nA	
<b>CTL_</b>							
CTL_ Input Bias Current	$V_{CTL_} = 0V$			-7		$\mu A$	
	$V_{CTL_} = V_{DD}$			+7			
High-Impedance Threshold	Rising				0.75	V	
	Falling		$V_{DD}$ - 1.2V				
Hysteresis	All VID transitions			50		mV	
<b>REFIN</b>							
REFIN Input Bias Current	$V_{REFIN} = 0.6V$	$T_A = +25^{\circ}C$	-500	-100		nA	
REFIN Common-Mode Range	$V_{DD} = 2.3V$ to $2.6V$		0	$V_{DD} - 1.65$		V	
	$V_{DD} = 2.6V$ to $3.6V$		0	$V_{DD} - 1.7$			
REFIN Offset Voltage	$CTL1 = CTL2 = GND$ , $T_A = +25^{\circ}C$		-3		+3	mV	
<b>LX (ALL PINS COMBINED)</b>							
LX On-Resistance, High Side	$I_{LX} = -2A$	$V_{IN} = V_{BST} - V_{LX} = 2.5V$		39		m $\Omega$	
		$V_{IN} = V_{BST} - V_{LX} = 3.3V$		37	58		
LX On-Resistance, Low Side	$I_{LX} = 2A$	$V_{IN} = 2.5V$		36		m $\Omega$	
		$V_{IN} = 3.3V$		34	55		
LX Current-Limit Threshold	$V_{IN} = 2.5V$ , high-side sourcing		4	5.5		A	
LX Leakage Current	$V_{IN} = 3.6V$ , $V_{EN} = V_{SS} = 0V$	$T_A = +25^{\circ}C$	$V_{LX} = 0V$	-2		$\mu A$	
			$V_{LX} = 3.6V$				+2
		$T_A = +85^{\circ}C$	$V_{LX} = 0V$		1		
			$V_{LX} = 3.6V$		1		
LX Switching Frequency	$V_{IN} = 2.5V$ to $3.3V$	$R_{FREQ} = 50k\Omega$	0.9	1	1.1	MHz	
		$R_{FREQ} = 23.2k\Omega$	1.8	2.0	2.2		
Frequency Range			500		2000	kHz	
LX Minimum Off-Time	$V_{IN} = 2.5V$ to $3.3V$			40	75	ns	
LX Maximum Duty Cycle	$R_{FREQ} = 50k\Omega$ , $V_{IN} = 2.5V$ to $3.3V$		93	96		%	
LX Minimum On-Time				80		ns	
RMS LX Output Current			3			A	

# 3A, 2MHz Step-Down Regulator with Integrated Switches

## ELECTRICAL CHARACTERISTICS (continued)

( $V_{IN} = V_{DD} = 3.3V$ ,  $V_{FB} = 0.5V$ ,  $T_A = -40^\circ C$  to  $+85^\circ C$ . Typical values are at  $T_A = +25^\circ C$ , circuit of Figure 1, unless otherwise noted.) (Note 2)

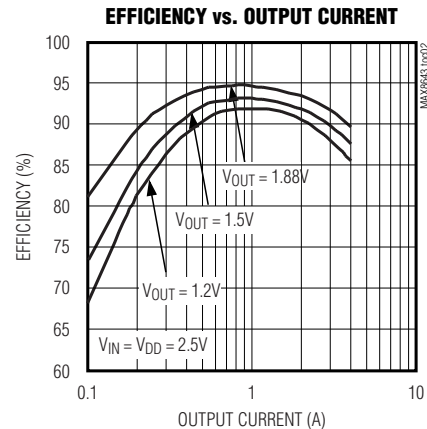
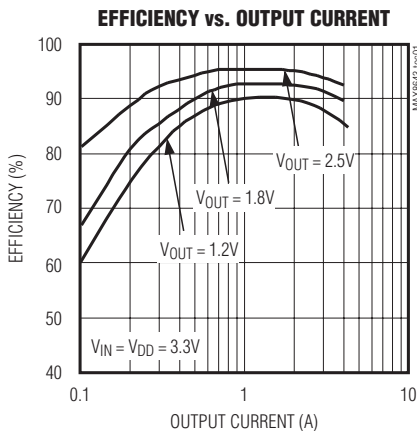
PARAMETER	CONDITIONS	MIN	TYP	MAX	UNITS
<b>ENABLE</b>					
EN Input Logic-Low, Falling			1.2	0.7	V
EN Input Logic-High, Rising		1.7	1.4		V
EN Hysteresis			200		mV
EN, Input Current	$V_{EN} = 0V$ or $3.6V$ , $V_{DD} = 3.6V$	$T_A = +25^\circ C$		1	$\mu A$
		$T_A = +85^\circ C$	0.01		
<b>SS</b>					
SS Charging Current	$V_{SS} = 0.45V$	7	8	9	$\mu A$
SS Discharge Resistance			500		$\Omega$
<b>THERMAL SHUTDOWN</b>					
Thermal-Shutdown Threshold			+165		$^\circ C$
Thermal-Shutdown Hysteresis			20		$^\circ C$
<b>POWER-GOOD (PWRGD)</b>					
Power-Good Threshold Voltage	$V_{FB}$ falling, 3mV hysteresis	87	90	93	%
Power-Good Falling-Edge Deglitch			48		Clock cycles
PWRGD Output-Voltage Low	$I_{PWRGD} = 4mA$		0.03	0.15	V
PWRGD Leakage Current	$V_{DD} = V_{PWRGD} = 3.6V$ , $V_{FB} = 0.9V$		0.01		$\mu A$
<b>OVERCURRENT LIMIT</b>					
Current-Limit Startup Blanking			128		Clock cycles
Restart Time			1024		Clock cycles

**Note 2:** Specifications are 100% production tested at  $T_A = +25^\circ C$ . Limits over the operating temperature range are guaranteed by design and characterization.

**Note 3:** Guaranteed by design.

## Typical Operating Characteristics

(Typical values are at  $V_{IN} = V_{DD} = 3.3V$ ,  $V_{OUT} = 1.8V$ ,  $R_{FREQ} = 50k\Omega$ ,  $I_{OUT} = 3A$ , and  $T_A = +25^\circ C$ , unless otherwise noted.)

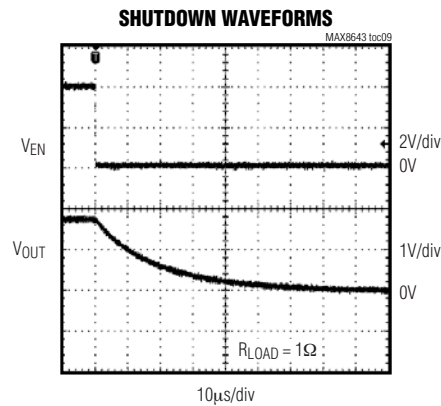
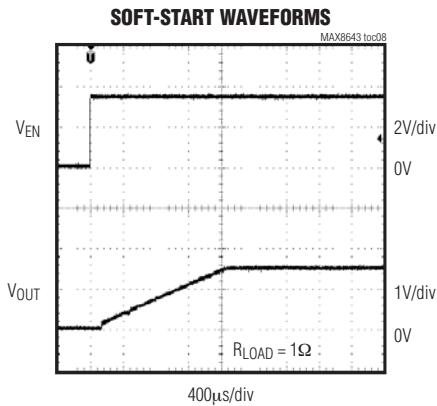
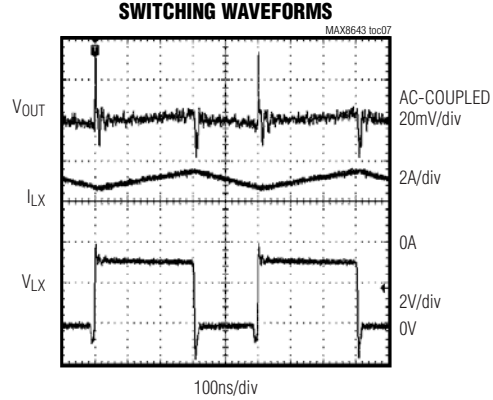
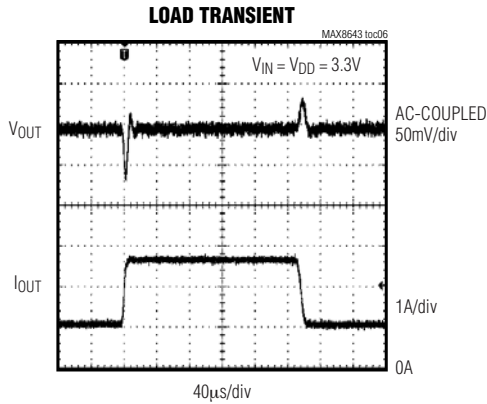
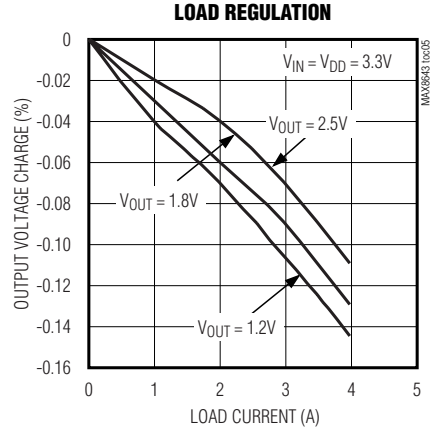
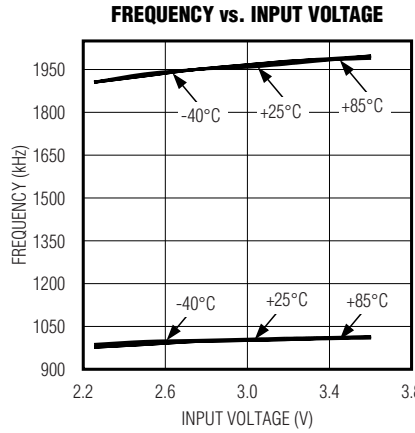
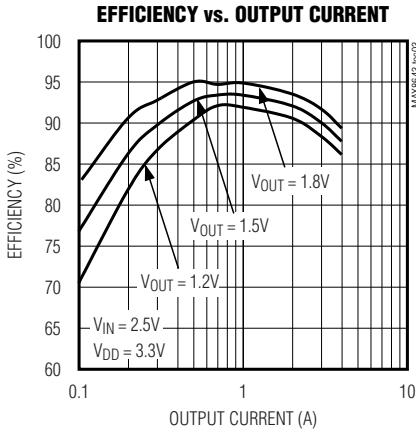


# 3A, 2MHz Step-Down Regulator with Integrated Switches

MAX8643

## Typical Operating Characteristics (continued)

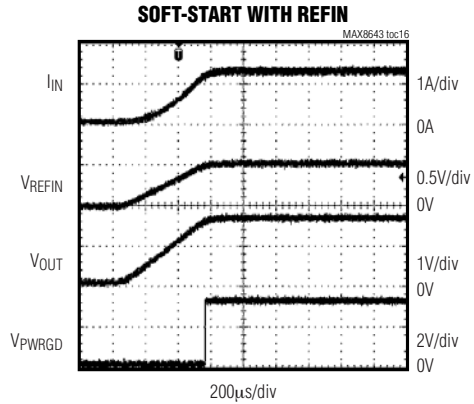
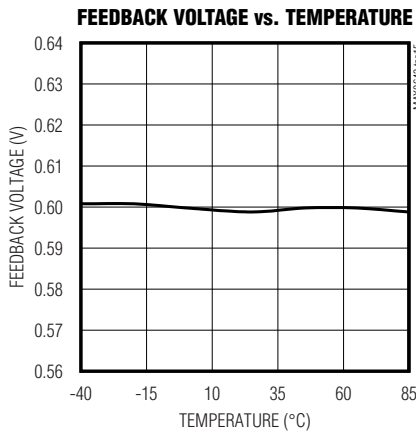
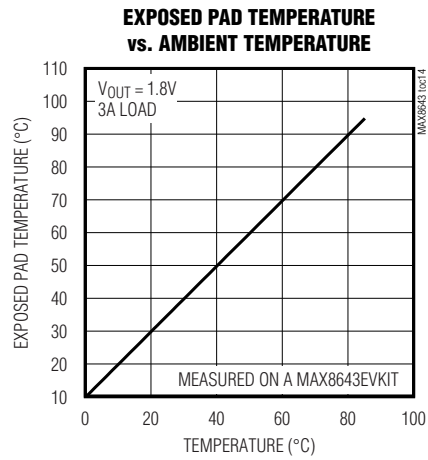
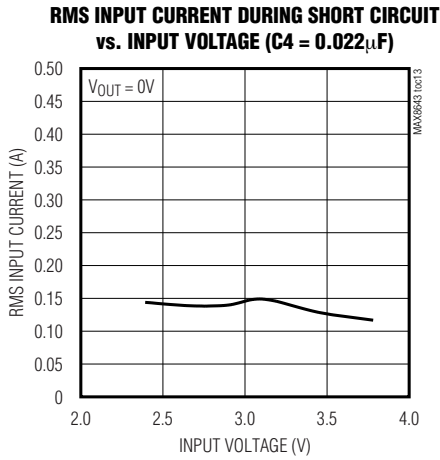
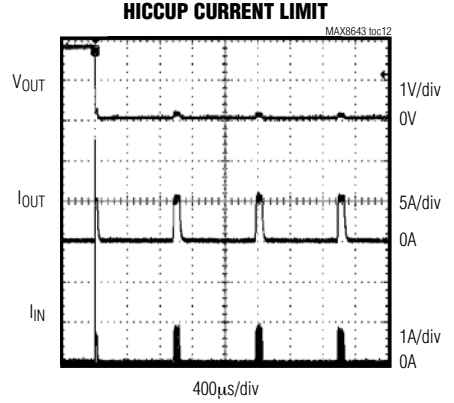
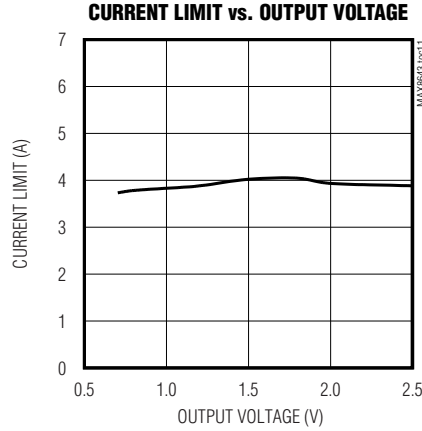
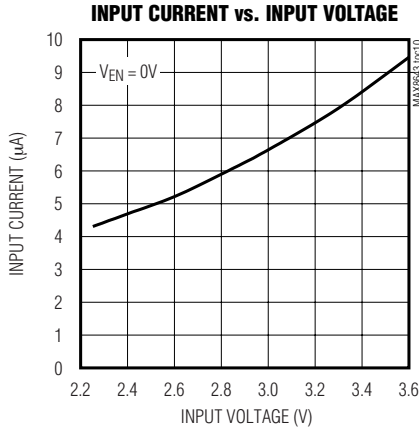
(Typical values are at  $V_{IN} = V_{DD} = 3.3V$ ,  $V_{OUT} = 1.8V$ ,  $R_{FREQ} = 50k\Omega$ ,  $I_{OUT} = 3A$ , and  $T_A = +25^\circ C$ , unless otherwise noted.)



# 3A, 2MHz Step-Down Regulator with Integrated Switches

## Typical Operating Characteristics (continued)

(Typical values are at  $V_{IN} = V_{DD} = 3.3V$ ,  $V_{OUT} = 1.8V$ ,  $R_{FREQ} = 50k\Omega$ ,  $I_{OUT} = 3A$ , and  $T_A = +25^\circ C$ , unless otherwise noted.)



# 3A, 2MHz Step-Down Regulator with Integrated Switches

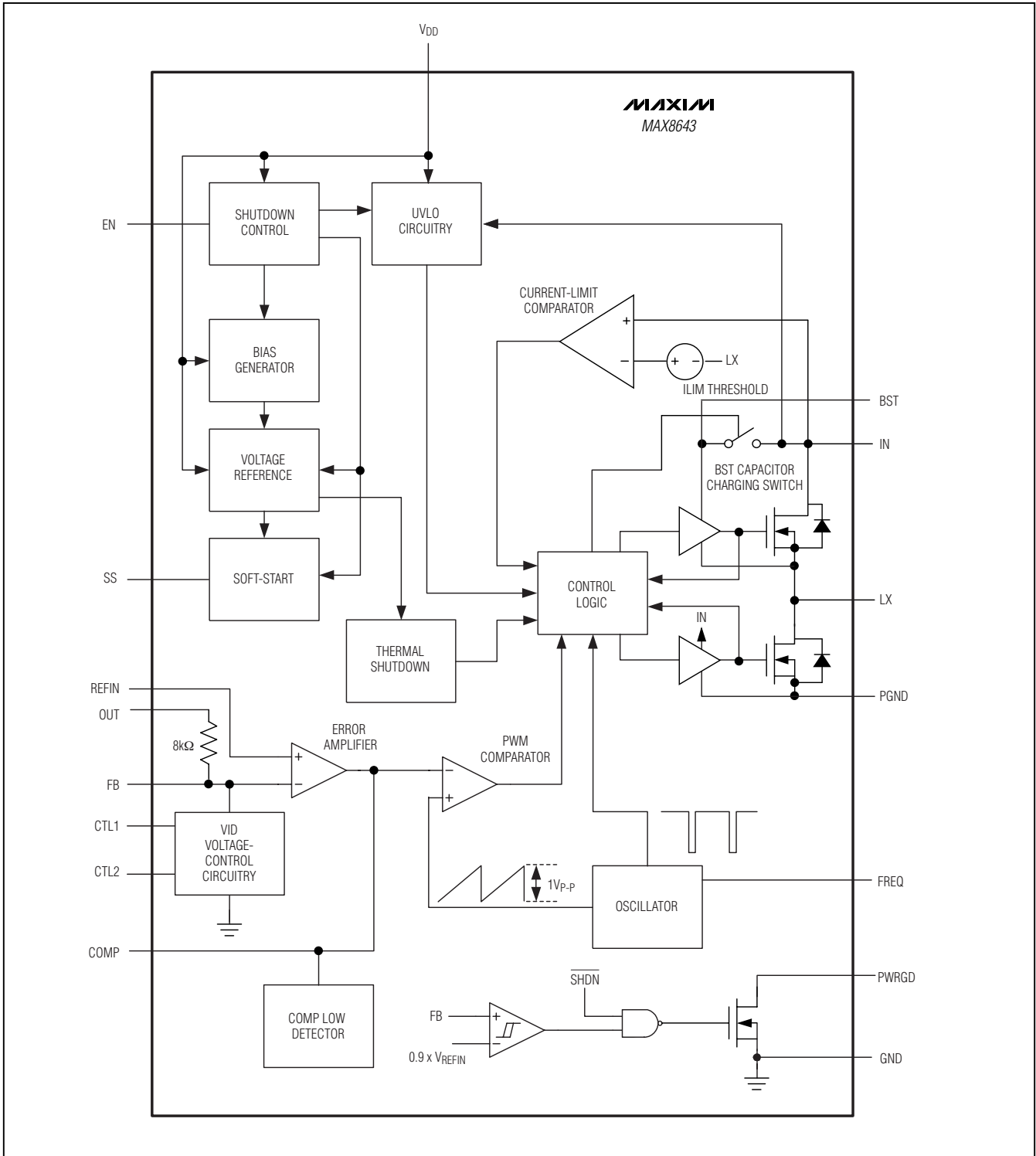
## Pin Description

**MAX8643**

PIN	NAME	FUNCTION
1, 7	GND	Analog Circuit Ground
2	V <sub>DD</sub>	Supply Voltage and Bypass Input. Connect V <sub>DD</sub> to IN with a 10Ω resistor. Connect a 1μF ceramic capacitor from V <sub>DD</sub> to GND.
3, 4	CTL1, CTL2	Preset Output Voltage Selection Input. CTL1 and CTL2 set the output voltage to one of nine preset voltages. See Table 1 for preset voltages.
5	REFIN	External Reference Input. Connect REFIN to SS to use the internal 0.6V reference. Connecting REFIN to an external reference voltage forces FB to regulate the voltage applied to REFIN. REFIN is internally pulled to GND when the IC is in shutdown mode.
6	SS	Soft-Start Input. Connect a capacitor from SS to GND to set the startup time. See the <i>Soft-Start and REFIN</i> section for details on setting the soft-start time.
8	COMP	Output of the Voltage-Error Amplifier. Connect the necessary compensation network from COMP to FB. COMP is internally pulled to GND when the IC is in shutdown mode.
9	FB	Feedback Input. Connect FB to the center tap of an external resistor-divider from the output to GND to set the output voltage from 0.6V to 90% of V <sub>IN</sub> . Connect FB through an RC network to the output when using CTL1 and CTL2 to select any of nine preset voltages.
10	OUT	Output Voltage Sense. Connect to the output. Leave OUT unconnected when an external resistor-divider is used.
11	FREQ	Oscillator Frequency Selection. Connect a resistor from FREQ to GND to select the switching frequency.
12	PWRGD	Power-Good Output. Open-drain output that is high impedance when V <sub>FB</sub> ≥ 90% of V <sub>REFIN</sub> or 0.6V. PWRGD is internally pulled low when V <sub>FB</sub> falls below 90% of its regulation point. PWRGD is internally pulled low when the IC is in shutdown mode, V <sub>DD</sub> or V <sub>IN</sub> is below the UVLO threshold, or the IC is in thermal shutdown.
13	BST	High-Side MOSFET Driver Supply. Bypass BST to LX with a 0.1μF capacitor.
14, 15, 16	LX	Inductor Connection. All LX pins are internally connected together. Connect all LX pins to the output inductor. LX is high impedance when the IC is in shutdown mode.
17–20	PGND	Power Ground. Connect all PGND pins externally to the power ground plane.
21, 22, 23	IN	Power-Supply Input. Input supply range is from 2.35V to 3.6V. Bypass with 22μF ceramic capacitance to PGND externally. See the <i>Typical Application Circuit</i> .
24	EN	Enable Input. Logic input to enable/disable the MAX8643.
—	EP	Exposed Paddle. Connect to a large ground plane to optimize thermal performance.

# 3A, 2MHz Step-Down Regulator with Integrated Switches

## Block Diagram







# 3A, 2MHz Step-Down Regulator with Integrated Switches

## Current Limit

The internal, high-side MOSFET has a typical 5.5A peak current-limit threshold. When current flowing out of LX exceeds this limit, the high-side MOSFET turns off and the synchronous rectifier turns on. The synchronous rectifier remains on until the inductor current falls below the low-side current limit. This lowers the duty cycle and causes the output voltage to droop until the current limit is no longer exceeded. The MAX8643 uses a hiccup mode to prevent overheating during short-circuit output conditions.

During current limit if  $V_{FB}$  drops below 420mV and stays below this level for 12 $\mu$ s or more, the part enters hiccup mode. The high-side MOSFET and the synchronous rectifier are turned off and both COMP and REFIN are internally pulled low. If REFIN and SS are connected together, then both are pulled low. The part remains in this state for 1024 clock cycles and then attempts to restart for 128 clock cycles. If the fault-causing current limit has cleared, the part resumes normal operation. Otherwise, the part reenters hiccup mode again.

## Soft-Start and REFIN

The MAX8643 utilizes an adjustable soft-start function to limit inrush current during startup. An 8 $\mu$ A (typ) current source charges an external capacitor connected to SS. The soft-start time is adjusted by the value of the external capacitor from SS to GND. The required capacitance value is determined as:

$$C = \frac{8\mu\text{A} \times t_{SS}}{0.6\text{V}}$$

where  $t_{SS}$  is the required soft-start time in seconds. The MAX8643 also features an external reference input (REFIN). The IC regulates FB to the voltage applied to REFIN. The internal soft-start is not available when using an external reference. A method of soft-start when using an external reference is shown in Figure 2. Connect REFIN to SS to use the internal 0.6V reference.

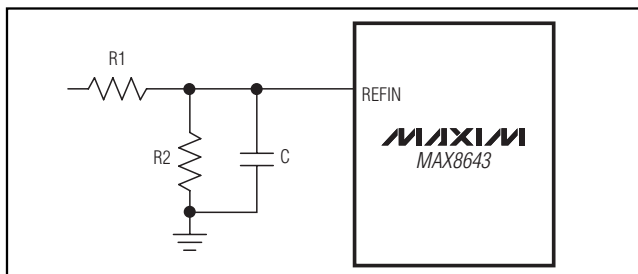


Figure 2. Typical Soft-Start Implementation with External Reference

## Undervoltage Lockout (UVLO)

The UVLO circuitry inhibits switching when  $V_{DD}$  is below 2V (typ). Once  $V_{DD}$  rises above 2V (typ), UVLO clears and the soft-start function activates. A 100mV hysteresis is built in for glitch immunity.

## BST

The gate-drive voltage for the high-side, n-channel switch is generated by a flying-capacitor boost circuit. The capacitor between BST and LX is charged from the  $V_{IN}$  supply while the low-side MOSFET is on. When the low-side MOSFET is switched off, the voltage of the capacitor is stacked above LX to provide the necessary turn-on voltage for the high-side internal MOSFET.

## Frequency Select (FREQ)

The switching frequency is resistor programmable from 500kHz to 2MHz. Set the switching frequency of the IC with a resistor ( $R_{FREQ}$ ) connected from FREQ to GND.  $R_{FREQ}$  is calculated as:

$$R_{FREQ} = \frac{50\text{k}\Omega}{0.95\mu\text{s}} \times \left( \frac{1}{f_s} - 0.05\mu\text{s} \right)$$

where  $f_s$  is the desired switching frequency in Hz.

## Power-Good Output (PWRGD)

PWRGD is an open-drain output that goes high impedance when  $V_{FB}$  is above  $0.9 \times V_{REFIN}$ . PWRGD pulls low when  $V_{FB}$  is below 90% of its regulation for at least 48 clock cycles. PWRGD is low during shutdown.

## Programming the Output Voltage (CTL1, CTL2)

As shown in Table 1, the output voltage is pin programmable by the logic states of CTL1 and CTL2. CTL1 and CTL2 are tri-level inputs:  $V_{DD}$ , unconnected, and GND.

Table 1. CTL1 and CTL2 Output Voltage Selection

CTL1	CTL2	V <sub>out</sub> (V)
GND	GND	0.6
$V_{DD}$	$V_{DD}$	0.7
GND	Unconnected	0.8
GND	$V_{DD}$	1.0
Unconnected	GND	1.2
Unconnected	Unconnected	1.5
Unconnected	$V_{DD}$	1.8
$V_{DD}$	GND	2.0
$V_{DD}$	Unconnected	2.5

## 3A, 2MHz Step-Down Regulator with Integrated Switches

The logic states of CTL1 and CTL2 should be programmed only before power-up. Once the part is enabled, CTL1 and CTL2 should not be changed. If the output voltage needs to be reprogrammed, cycle power or EN and reprogram before enabling.

### Shutdown Mode

Drive EN to GND to shut down the IC and reduce quiescent current to less than 12 $\mu$ A. During shutdown, the LX is high impedance. Drive EN high to enable the MAX8643.

### Thermal Protection

Thermal-overload protection limits total power dissipation in the device. When the junction temperature exceeds  $T_J = +165^\circ\text{C}$ , a thermal sensor forces the device into shutdown, allowing the die to cool. The thermal sensor turns the device on again after the junction temperature cools by  $20^\circ\text{C}$ , causing a pulsed output during continuous overload conditions. The soft-start sequence begins after recovery from a thermal-shutdown condition.

## Applications Information

### IN and VDD Decoupling

To decrease the noise effects due to the high switching frequency and maximize the output accuracy of the MAX8643, decouple  $V_{IN}$  with a 22 $\mu$ F capacitor from  $V_{IN}$  to PGND. Also decouple  $V_{DD}$  with a 1 $\mu$ F from  $V_{DD}$  to GND. Place these capacitors as close to the IC as possible.

### Inductor Selection

Choose an inductor with the following equation:

$$L = \frac{V_{OUT} \times (V_{IN} - V_{OUT})}{f_S \times V_{IN} \times LIR \times I_{OUT(MAX)}}$$

where LIR is the ratio of the inductor ripple current to full load current at the minimum duty cycle. Choose LIR between 20% to 40% for best performance and stability.

Use an inductor with the lowest possible DC resistance that fits in the allotted dimensions. Powdered iron ferrite core types are often the best choice for performance. With any core material, the core must be large enough not to saturate at the current limit of the MAX8643.

### Output-Capacitor Selection

The key selection parameters for the output capacitor are capacitance, ESR, ESL, and voltage-rating requirements. These affect the overall stability, output ripple voltage, and transient response of the DC-DC converter. The out-

put ripple occurs due to variations in the charge stored in the output capacitor, the voltage drop due to the capacitor's ESR, and the voltage drop due to the capacitor's ESL. Calculate the output voltage ripple due to the output capacitance, ESR, and ESL:

$$V_{RIPPLE} = V_{RIPPLE(C)} + V_{RIPPLE(ESR)} + V_{RIPPLE(ESL)}$$

where the output ripple due to output capacitance, ESR, and ESL is:

$$V_{RIPPLE(C)} = \frac{I_{P-P}}{8 \times C_{OUT} \times f_S}$$

$$V_{RIPPLE(ESR)} = I_{P-P} \times ESR$$

$$V_{RIPPLE(ESL)} = \frac{I_{P-P}}{t_{ON}} \times ESL$$

$$V_{RIPPLE(ESL)} = \frac{I_{P-P}}{t_{OFF}} \times ESL$$

or whichever is larger.

The peak inductor current ( $I_{P-P}$ ) is:

$$I_{P-P} = \frac{V_{IN} - V_{OUT}}{f_S \times L} \times \frac{V_{OUT}}{V_{IN}}$$

Use these equations for initial capacitor selection. Determine final values by testing a prototype or an evaluation circuit. A smaller ripple current results in less output voltage ripple. Since the inductor ripple current is a factor of the inductor value, the output voltage ripple decreases with larger inductance. Use ceramic capacitors for low ESR and low ESL at the switching frequency of the converter. The ripple voltage due to ESL is negligible when using ceramic capacitors.

Load-transient response depends on the selected output capacitance. During a load transient, the output instantly changes by  $ESR \times \Delta I_{LOAD}$ . Before the controller can respond, the output deviates further, depending on the inductor and output capacitor values. After a short time, the controller responds by regulating the output voltage back to its predetermined value. The controller response time depends on the closed-loop bandwidth. A higher bandwidth yields a faster response time, preventing the output from deviating further from its regulating value. See the *Compensation Design* section for more details.

## 3A, 2MHz Step-Down Regulator with Integrated Switches

### Input-Capacitor Selection

The input capacitor reduces the current peaks drawn from the input power supply and reduces switching noise in the IC. The total input capacitance must be equal to or greater than the value given by the following equation to keep the input ripple voltage within specs and minimize the high-frequency ripple current being fed back to the input source:

$$C_{IN\_MIN} = \frac{D \times t_s \times I_{OUT}}{V_{IN\_RIPPLE}}$$

where  $V_{IN\_RIPPLE}$  is the maximum allowed input ripple voltage across the input capacitors and is recommended to be less than 2% of the minimum input voltage.  $D$  is the duty cycle ( $V_{OUT} / V_{IN}$ ), and  $t_s$  is the switching period ( $1/f_s$ ).

The impedance of the input capacitor at the switching frequency should be less than that of the input source so high-frequency switching currents do not pass through the input source but are instead shunted through the input capacitor. High source impedance requires high input capacitance. The input capacitor must meet the ripple current requirement imposed by the switching currents. The RMS input ripple current is given by:

$$I_{RIPPLE} = I_{LOAD} \times \sqrt{\frac{V_{OUT} \times (V_{IN} - V_{OUT})}{V_{IN}}}$$

where  $I_{RIPPLE}$  is the input RMS ripple current.

### Compensation Design

The power transfer function consists of one double pole and one zero. The double pole is introduced by the output filtering inductor,  $L$ , and the output filtering capacitor,  $C_O$ . The ESR of the output filtering capacitor determines the zero. The double pole and zero frequencies are given as follows:

$$f_{P1\_LC} = f_{P2\_LC} = \frac{1}{2\pi \times \sqrt{L \times C_O \times \left( \frac{R_O + ESR}{R_O + R_L} \right)}}$$

$$f_{Z\_ESR} = \frac{1}{2\pi \times ESR \times C_O}$$

where  $R_L$  is equal to the sum of the output inductor's DCR and the internal switch resistance,  $R_{DS(ON)}$ . A typical value for  $R_{DS(ON)}$  is  $37m\Omega$ .  $R_O$  is the output load resistance, which is equal to the rated output voltage divided by the rated output current. ESR is the total equivalent series resistance of the output filtering capacitor. If there is more than one output capacitor of the same type in

parallel, the value of the ESR in the above equation is equal to that of the ESR of a single output capacitor divided by the total number of output capacitors.

The high switching frequency range of the MAX8643 allows the use of ceramic output capacitors. Since the ESR of ceramic capacitors is typically very low, the frequency of the associated transfer function zero is higher than the unity-gain crossover frequency,  $f_c$ , and the zero cannot be used to compensate for the double pole created by the output filtering inductor and capacitor. The double pole produces a gain drop of 40dB/decade and a phase shift of 180°/decade. The error amplifier must compensate for this gain drop and phase shift to achieve a stable high-bandwidth closed-loop system. Therefore, use type III compensation as shown in Figure 3 and Figure 4. Type III compensation possesses three poles and two zeros with the first pole,  $f_{P1\_EA}$ , located at zero frequency (DC). Locations of other poles and zeros of the type III compensation are given by:

$$f_{Z1\_EA} = \frac{1}{2\pi \times R1 \times C1}$$

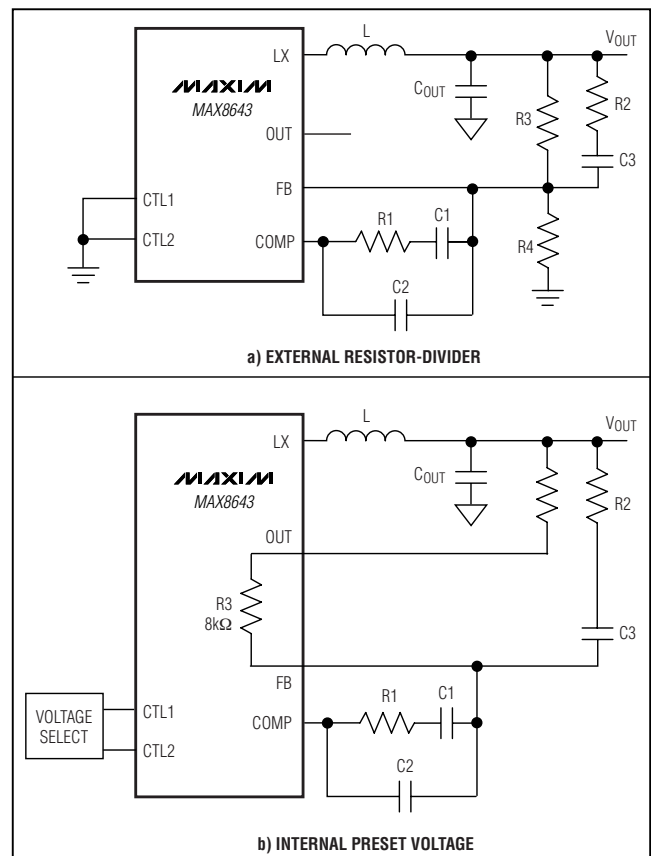


Figure 3. Type III Compensation Network

## 3A, 2MHz Step-Down Regulator with Integrated Switches

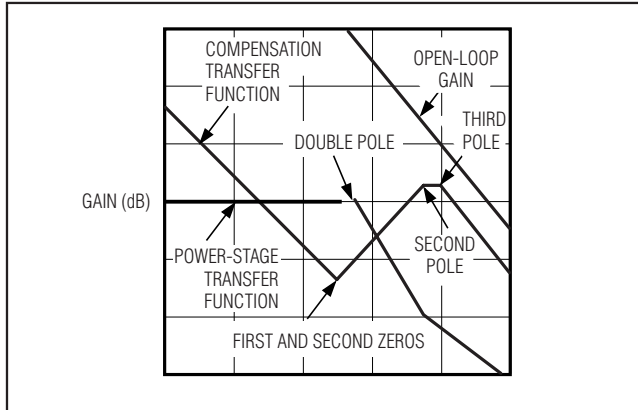


Figure 4. Type III Compensation Illustration

$$f_{Z2\_EA} = \frac{1}{2\pi \times R3 \times C3}$$

$$f_{P3\_EA} = \frac{1}{2\pi \times R1 \times C2}$$

$$f_{P2\_EA} = \frac{1}{2\pi \times R2 \times C3}$$

The above equations are based on the assumptions that  $C1 \gg C2$ , and  $R3 \gg R2$ , which are true in most applications. Placements of these poles and zeros are determined by the frequencies of the double pole and ESR zero of the power transfer function. It is also a function of the desired closed-loop bandwidth. The following section outlines the step-by-step design procedure to calculate the required compensation components for the MAX8643. When the output voltage of the MAX8643 is programmed to a preset voltage,  $R3$  is internal to the IC and  $R4$  does not exist (Figure 3b).

When externally programming the MAX8643 (Figure 3a), the output voltage is determined by:

$$R4 = \frac{0.6 \times R3}{(V_{OUT} - 0.6)}$$

The zero-cross frequency of the closed-loop,  $f_C$ , should be between 10% and 20% of the switching frequency,  $f_S$ . A higher zero-cross frequency results in faster transient response. Once  $f_C$  is chosen,  $C1$  is calculated from the following equation:

$$C1 = \frac{1.5625 V_{IN}}{2 \times \pi \times R3 \times \left(1 + \frac{R_L}{R_O}\right) \times f_C}$$

Due to the underdamped nature of the output LC double pole, set the two zero frequencies of the type III compensation less than the LC double-pole frequency to provide adequate phase boost. Set the two zero frequencies to 80% of the LC double-pole frequency. Hence:

$$R1 = \frac{1}{0.8 \times C1} \times \sqrt{\frac{L \times C_O \times (R_O + ESR)}{R_L + R_O}}$$

$$C3 = \frac{1}{0.8 \times R3} \times \sqrt{\frac{L \times C_O \times (R_O + ESR)}{R_L + R_O}}$$

Setting the second compensation pole,  $f_{P2\_EA}$ , at  $f_{Z\_ESR}$  yields:

$$R2 = \frac{C_O \times ESR}{C3}$$

Set the third compensation pole at 1/2 of the switching frequency to gain some phase margin. Calculate  $C2$  as follows:

$$C2 = \frac{1}{\pi \times R1 \times f_S \times 2}$$

The above equations provide accurate compensation when the zero-cross frequency is significantly higher than the double-pole frequency. When the zero-cross frequency is near the double-pole frequency, the actual zero-cross frequency is higher than the calculated frequency. In this case, lowering the value of  $R1$  reduces the zero-cross frequency. Also, set the third pole of the type III compensation close to the switching frequency if the zero-cross frequency is above 200kHz to boost the phase margin. The recommended range for  $R3$  is 2k $\Omega$  to 10k $\Omega$ . Note that the loop compensation remains unchanged if only  $R4$ 's resistance is altered to set different outputs.

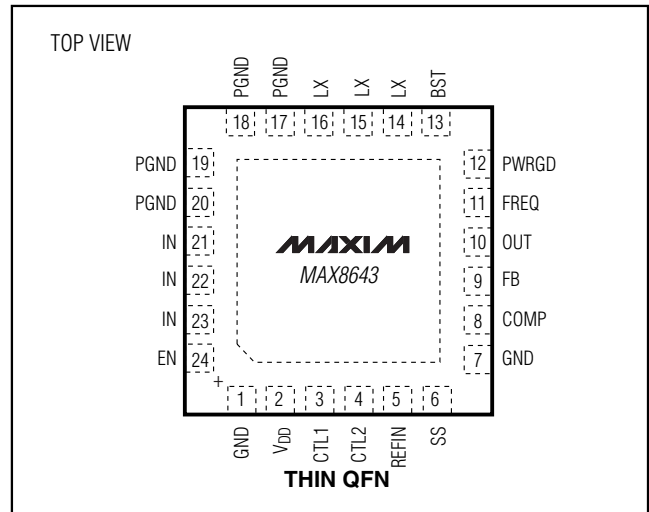
## 3A, 2MHz Step-Down Regulator with Integrated Switches

### PCB Layout Considerations and Thermal Performance

Careful PCB layout is critical to achieve clean and stable operation. It is highly recommended to duplicate the MAX8643 EV kit layout for optimum performance. If deviation is necessary, follow these guidelines for good PCB layout:

- 1) Connect input and output capacitors to the power ground plane; connect all other capacitors to the signal ground plane.
- 2) Place capacitors on  $V_{DD}$ ,  $V_{IN}$ , and SS as close as possible to the IC and its corresponding pin using direct traces. Keep power ground plane (connected to PGND) and signal ground plane (connected to GND) separate.
- 3) Keep the high-current paths as short and wide as possible. Keep the path of switching current short and minimize the loop area formed by LX, the output capacitors, and the input capacitors.
- 4) Connect IN, LX, and PGND separately to a large copper area to help cool the IC to further improve efficiency and long-term reliability.
- 5) Ensure all feedback connections are short and direct. Place the feedback resistors and compensation components as close to the IC as possible.
- 6) Route high-speed switching nodes, such as LX, away from sensitive analog areas (FB, COMP).

### Pin Configuration



### Chip Information

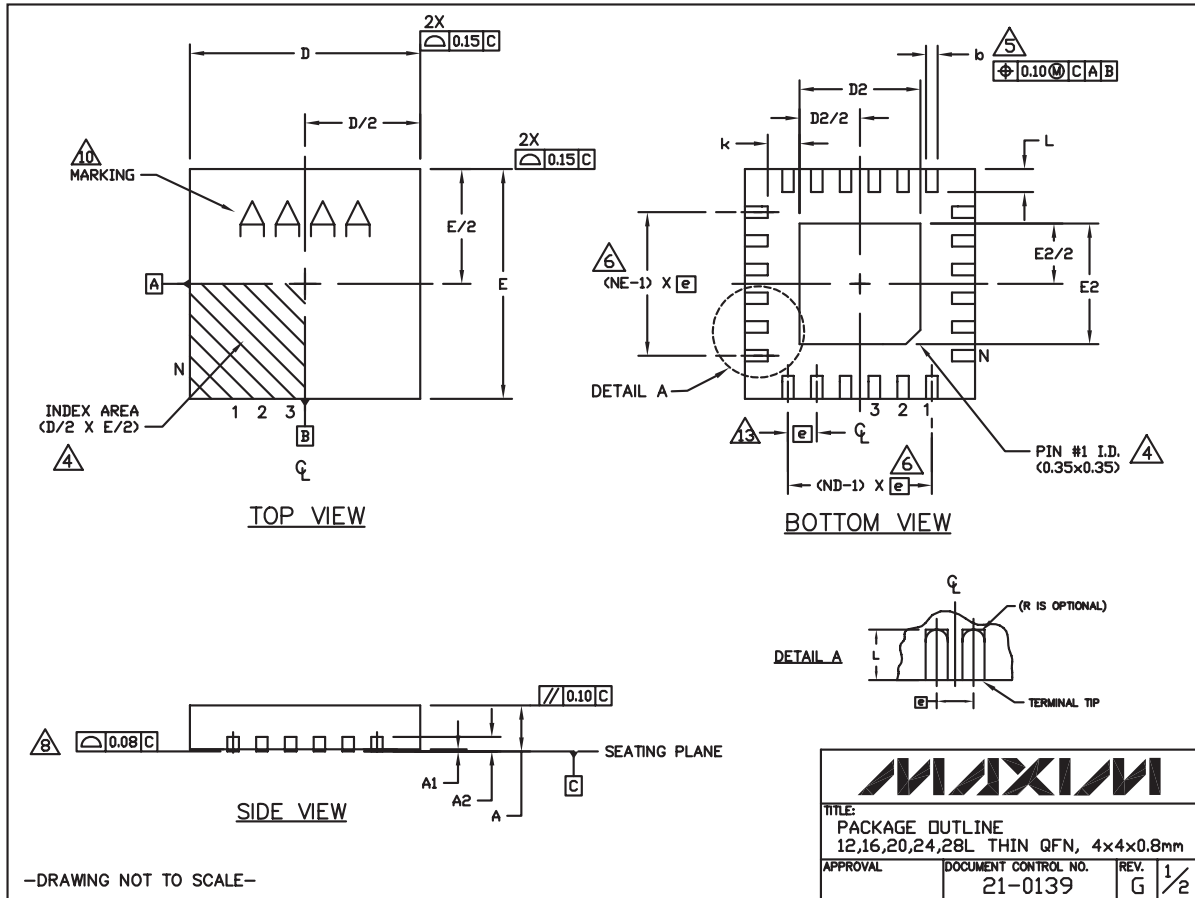
PROCESS: BiCMOS

# 3A, 2MHz Step-Down Regulator with Integrated Switches

## Package Information

(The package drawing(s) in this data sheet may not reflect the most current specifications. For the latest package outline information go to [www.maxim-ic.com/packages](http://www.maxim-ic.com/packages).)

MAX8643



24L QFN THIN.EPS

-DRAWING NOT TO SCALE-

# 3A, 2MHz Step-Down Regulator with Integrated Switches

## Package Information (continued)

(The package drawing(s) in this data sheet may not reflect the most current specifications. For the latest package outline information go to [www.maxim-ic.com/packages](http://www.maxim-ic.com/packages).)

COMMON DIMENSIONS															
PKG	12L 4x4			16L 4x4			20L 4x4			24L 4x4			28L 4x4		
REF.	MIN.	NOM.	MAX.	MIN.	NOM.	MAX.	MIN.	NOM.	MAX.	MIN.	NOM.	MAX.	MIN.	NOM.	MAX.
A	0.70	0.75	0.80	0.70	0.75	0.80	0.70	0.75	0.80	0.70	0.75	0.80	0.70	0.75	0.80
A1	0.0	0.02	0.05	0.0	0.02	0.05	0.0	0.02	0.05	0.0	0.02	0.05	0.0	0.02	0.05
A2	0.20 REF			0.20 REF			0.20 REF			0.20 REF			0.20 REF		
b	0.25	0.30	0.35	0.25	0.30	0.35	0.20	0.25	0.30	0.18	0.23	0.30	0.15	0.20	0.25
D	3.90	4.00	4.10	3.90	4.00	4.10	3.90	4.00	4.10	3.90	4.00	4.10	3.90	4.00	4.10
E	3.90	4.00	4.10	3.90	4.00	4.10	3.90	4.00	4.10	3.90	4.00	4.10	3.90	4.00	4.10
e	0.80 BSC.			0.65 BSC.			0.50 BSC.			0.50 BSC.			0.40 BSC.		
k	0.25	-	-	0.25	-	-	0.25	-	-	0.25	-	-	0.25	-	-
L	0.45	0.55	0.65	0.45	0.55	0.65	0.45	0.55	0.65	0.30	0.40	0.50	0.30	0.40	0.50
N	12			16			20			24			28		
ND	3			4			5			6			7		
NE	3			4			5			6			7		
Jedec Var.	WGG8			WGGC			WGGD-1			WGGD-2			WGGE		

EXPOSED PAD VARIATIONS							
PKG. CODES	D2			E2			MAX.
	MIN.	NOM.	MAX.	MIN.	NOM.	MAX.	
T1244-3	1.95	2.10	2.25	1.95	2.10	2.25	
T1244-4	1.95	2.10	2.25	1.95	2.10	2.25	
T1644-3	1.95	2.10	2.25	1.95	2.10	2.25	
T1644-4	1.95	2.10	2.25	1.95	2.10	2.25	
T2044-2	1.95	2.10	2.25	1.95	2.10	2.25	
T2044-3	1.95	2.10	2.25	1.95	2.10	2.25	
T2044-4	1.95	2.10	2.25	1.95	2.10	2.25	
T2444-2	1.95	2.10	2.25	1.95	2.10	2.25	
T2444-3	2.45	2.60	2.63	2.45	2.60	2.63	
T2444-4	2.45	2.60	2.63	2.45	2.60	2.63	
T2844-1	2.50	2.60	2.70	2.50	2.60	2.70	

NOTES:

- DIMENSIONING & TOLERANCING CONFORM TO ASME Y14.5M-1994.
- ALL DIMENSIONS ARE IN MILLIMETERS. ANGLES ARE IN DEGREES.
- N IS THE TOTAL NUMBER OF TERMINALS.
- THE TERMINAL #1 IDENTIFIER AND TERMINAL NUMBERING CONVENTION SHALL CONFORM TO JEDEC 95-1 SPP-012. DETAILS OF TERMINAL #1 IDENTIFIER ARE OPTIONAL, BUT MUST BE LOCATED WITHIN THE ZONE INDICATED. THE TERMINAL #1 IDENTIFIER MAY BE EITHER A MOLD OR MARKED FEATURE.
- DIMENSION b APPLIES TO METALLIZED TERMINAL AND IS MEASURED BETWEEN 0.25mm AND 0.30mm FROM TERMINAL TIP.
- ND AND NE REFER TO THE NUMBER OF TERMINALS ON EACH D AND E SIDE RESPECTIVELY.
- DEPOPULATION IS POSSIBLE IN A SYMMETRICAL FASHION.
- COPLANARITY APPLIES TO THE EXPOSED HEAT SINK SLUG AS WELL AS THE TERMINALS.
- DRAWING CONFORMS TO JEDEC MO220, EXCEPT FOR T2444-3, T2444-4 AND T2844-1.
- MARKING IS FOR PACKAGE ORIENTATION REFERENCE ONLY.
- COPLANARITY SHALL NOT EXCEED 0.08mm.
- WARPAGE SHALL NOT EXCEED 0.10mm.
- LEAD CENTERLINES TO BE AT TRUE POSITION AS DEFINED BY BASIC DIMENSION 'e', ±0.05.
- NUMBER OF LEADS SHOWN ARE FOR REFERENCE ONLY.
- ALL DIMENSIONS ARE THE SAME FOR LEADED (-) & PwFREE (+) PACKAGE CODES.

-DRAWING NOT TO SCALE-

TITLE: PACKAGE OUTLINE 12,16,20,24,28L THIN QFN, 4x4x0.8mm		
APPROVAL	DOCUMENT CONTROL NO. 21-0139	REV. G 2/2

## Revision History

Pages changed at Rev 2: 1, 4, 5, 6, 13-16

Pages changed at Rev 3: 1, 2, 4, 8, 13, 15, 16

Maxim cannot assume responsibility for use of any circuitry other than circuitry entirely embodied in a Maxim product. No circuit patent licenses are implied. Maxim reserves the right to change the circuitry and specifications without notice at any time.

16 **Maxim Integrated Products, 120 San Gabriel Drive, Sunnyvale, CA 94086 408-737-7600**