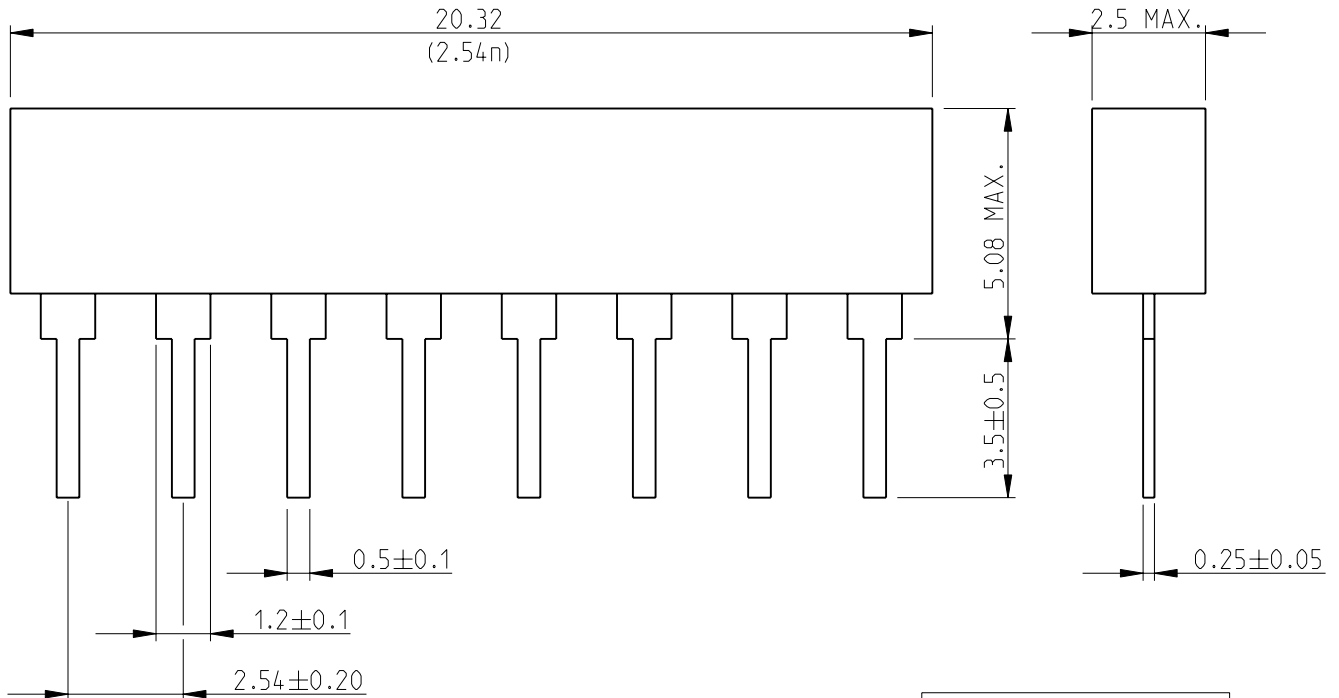
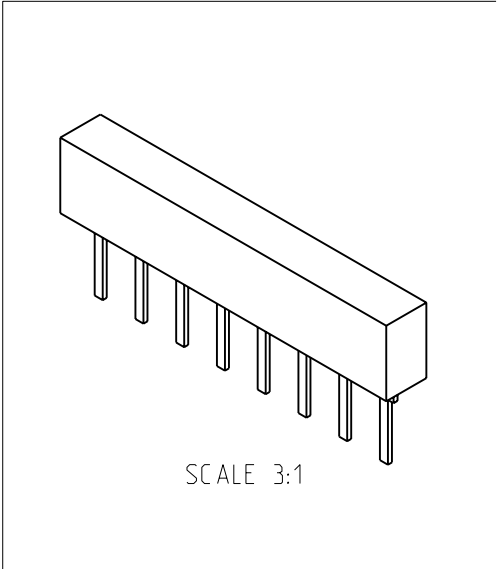


| | | | | | | | |
|-----|------|-----------|-----|-------------|-----------|-----|------|
| LOC | DIST | REVISIONS | | | | | |
| E | B | P | LTR | DESCRIPTION | DATE | DWN | APVD |
| | | | BA | NEW RELEASE | 22-OCT-09 | MRS | St.P |



RoHS Compliant



1. n = NUMBER OF PINS
2. FOR FURTHER INFORMATION SEE DATA SHEET FOR SERIES SIL, GENERAL PURPOSE RESISTOR NETWORKS

2009

RELEASED FOR PUBLICATION

THIS DRAWING IS UNPUBLISHED.

BY TYCO ELECTRONICS CORPORATION. ALL RIGHTS RESERVED.



| | | | | | | |
|--|------------------|-----------|---|-----------|--------------|---------------|
| DIMENSIONS: mm | DWN MAHARUDRA | 22-OCT-09 | MATERIAL | - | FINISH | - |
| | CHK ALLAN.P | 22-OCT-09 | Tyco Electronics Corporation Dorcan, Swindon, SN3 5HH | | | |
| TOLERANCES UNLESS OTHERWISE SPECIFIED: | APVD STEPHEN.P | 22-OCT-09 | | | | |
| 0 PLC ±0.2 | PRODUCT SPEC | - | NAME GENERAL PURPOSE RESISTOR NETWORKS SIL08 RESISTOR NETWORKS | | | |
| 1 PLC ±0.1 | APPLICATION SPEC | - | SIZE | CAGE CODE | DRAWING NO | RESTRICTED TO |
| 2 PLC ±- | | | A 4 | 00779 | ©= 1622804 | - |
| 3 PLC ±- | | | CUSTOMER DRAWING | | | |
| 4 PLC ±- | WEIGHT | - | SCALE | 6:1 | SHEET 1 OF 1 | REV BA |
| ANGLES ±5° | | | | | | |