

# C1005CH1H070C050BA

TDK Item Description : C1005CH1H070CT\*\*\*\*

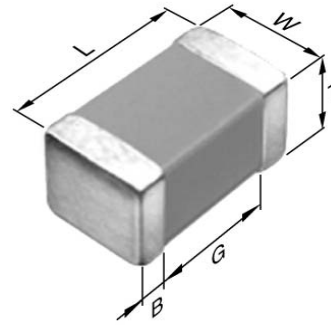


## Application & Main Feature

Commercial Grade ( General (Up to 50V) )

## Series

C1005 [EIA CC0402]



## Dimensions

L 1.00mm +/-0.05mm  
W 0.50mm +/-0.05mm  
T 0.50mm +/-0.05mm  
B 0.10mm Min.  
G 0.30mm Min.

## Temperature Characteristic

CH (-25 to 85 degC 0+/-60ppm/degC)

## Rated Voltage

1H (50Vdc)

## Capacitance

7pF

## Capacitance Tolerance

C (+/-0.25pF)

## Q Factor

540 Min.

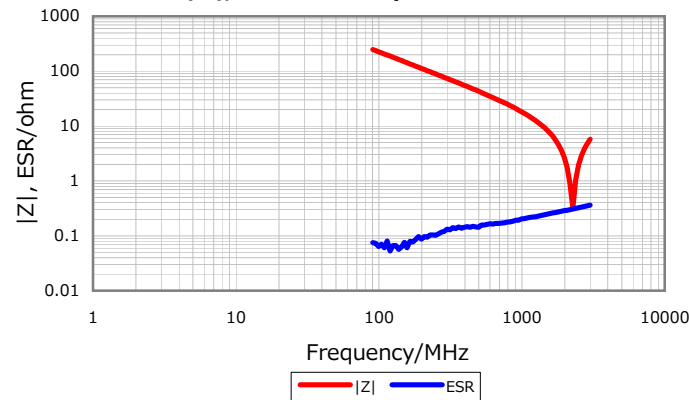
## Insulation Resistance

10Gohm Min.

## AEC-Q200

Not Applicable

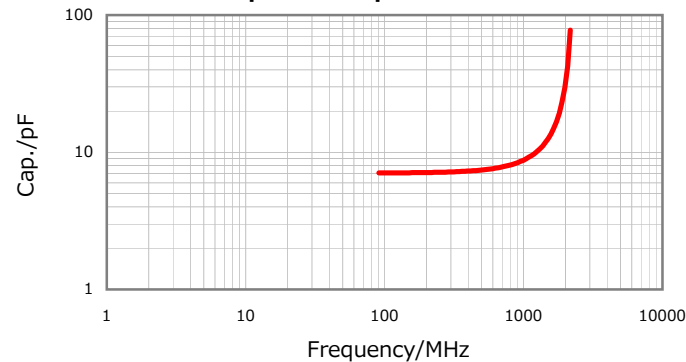
### |Z|, ESR vs. Freq. Characteristics



### DC Bias Characteristic



### Cap. vs. Freq. Characteristic



### Temperature Characteristics

