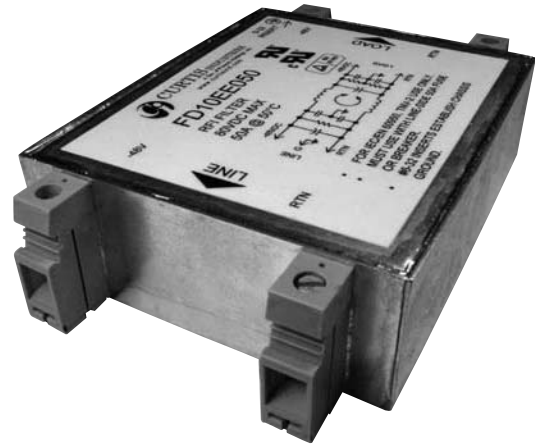


# FD Series Filters



The FD Series of DC filters are designed as a general purpose line of filters for DC applications. They are designed to comply with UL/EN 60950 and UL 1459, CISPER 22 and Telecordia (Bellcore) GR-1089 at 25Amps and above. These filters are available with and without circuit breakers for additional protection.

The FD Series is a compact size that can filter up to 300MHz ideally suited for the telecom-datacom market. The FD0 Series is available from 6Amps to 100Amps in the smallest, economical package. The FD02 is a high frequency filter up to 3GHz (3,000MHz) in a compact package.

These filters are ideally used in communications and central office equipment.

- Power Supplies for Communications Equipment
- Network Routing Equipment
- Switching Equipment
- Base Stations
- Modems
- Services
- Ethernet Hubs



## Specifications:

**Rated Voltage:** 80VDC Maximum

**Rated Current:** 6A  
10A  
20A  
25A  
50A  
75A  
100A

**Current Overload:** 6X for 8 seconds

**Hi-Pot Rating (1 min):**

Line to Ground 1060VDC  
Line to Line 100VDC

**Insulation Resistance:** 1000 MΩ at 80VDC

**Ambient Temperature:** 0°C to 55°C (32°F to 131°F)

**Humidity Range:** 0% to 95% R.H.

**Termination:** See Chart at Right

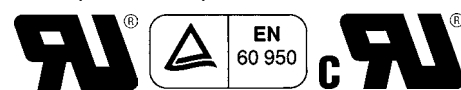
**Wire Leads:** 18AWG 6A to 20A (FD0)  
(FD0 25Amp to 100Amp not available with wire leads)  
10AWG 30Amp (FD1, FD2, FD3)  
6AWG 50Amp  
4AWG 75Amp & 100Amp

**Agency Approvals:**

6Amp to 20Amp



25Amp to 100Amp



General Purpose

DC FILTERS



# Power Line Filter Selection Guide

## FD00 & FD02 SERIES

FILTER Part Number	Current Rating (Amps)	Termination		
		Quick Connects	Wire Leads	Studs
FD00AA006	6	X		
FD00BB006	6		X	
FD00DD006	6			X
FD00AA010	10	X		
FD00BB010	10		X	
FD00DD010	10			X
FD00AA020	20	X		
FD00DD020	20			X
FD00BD025	25		X	X
FD00DD025	25			X
FD00BD050	50		X	X
FD00DD050	50			X
FD00BD075	75		X	X
FD00DD075	75			X
FD00BD100	100		X	X
FD00DD100	100			X
FD02BD025	25		X	X
FD02DD025	25			X
FD02DD050	50			X
FD02BD050	50		X	X
FD02DD075	75			X
FD02BD075	75		X	X
FD02DD100	100			X
FD02BD100	100		X	X

## FD1, FD2, FD3 SERIES

FILTER Part Number	Current Rating (Amps)	Disconnect Type			Termination			
		Single Pole Rocker Breaker	Double Pole Rocker Breaker	Double Pole Handle Breaker	Wire Leads	High Current Connector	Euro Connector	Dual Stud T-Block
FD10BB030	30				X			
FD10EE030	30						X	
FD10BB050	50				X			
FD10EE050	50						X	
FD10BB075	75				X			
FD10BB100	100				X			
FD20B_ _ _	30, 50, or 80				X			
FD20E_ _ _							X	
FD20R_ _ _		X						X
FD20D_ _ _			X					X
FD20H_ _ _				X				X
FD20_B_ _ _						X		
FD20_C_ _ _							X	
FD20_E_ _ _								X
FD20_T_ _ _								X
FD30B_ _ _		30, 50, 75, or 100				X		
FD30E_ _ _							X	
FD30R_ _ _	X							X
FD30D_ _ _			X					X
FD30H_ _ _				X				X
FD30_B_ _ _						X		
FD30_C_ _ _							X	
FD30_E_ _ _								X
FD30_T_ _ _								X

General Purpose

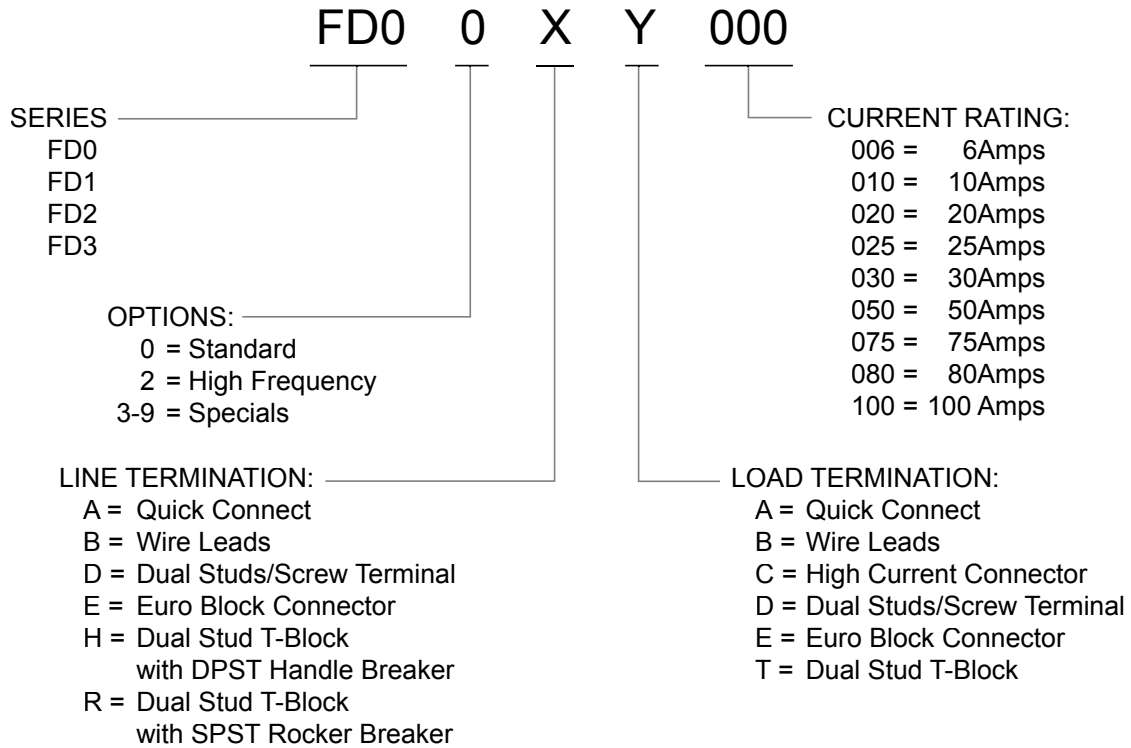
DC FILTERS

Dimensions are in inches and millimeters unless otherwise specified. Values in parentheses are metric equivalents.



# FD Series Filters

## How to Order



**NOTE: Not all terminations are available in all models.**

General Purpose

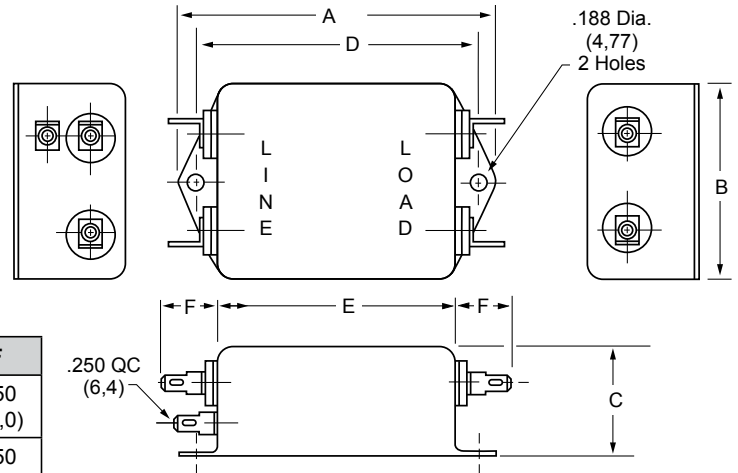
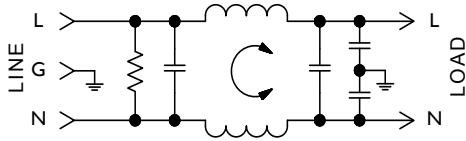
DC FILTERS

Part Number	TYPICAL INSERTION LOSS - dB (50 ohm Circuit)													
	MODE	Frequency - MHz												
		.01	.03	.10	.15	.50	1.0	5.0	10	30	100	300	1000	3000
FD00XX006 FD00XX010 FD00XX020	Common Differential	-	-	-	10	22	30	42	47	40	-	-	-	-
FD00XX025 FD00XX050 FD00XX075 FD00XX100	Common Differential	-	-	-	22	50	60	50	45	40	-	-	-	-
FD02XX025 FD02XX050 FD02XX100	Common Differential	5 40	5 45	35 45	45 45	60 48	60 50	55 45	55 55	50 48	40 45	10 15	20 58	25 40
FD10XX030 FD10XX050 FD10XX075 FD10XX100	Common Differential	5 55	15 60	48 70	60 70	65 70	65 65	60 70	60 60	55 50	25 35	25 15	-	-
FD20XX030 FD20XX050 FD20XX080	Common Differential	5 55	15 65	48 70	60 65	70 60	70 65	70 55	60 50	55 45	-	-	-	-
FD30XX030 FD30XX050 FD30XX075 FD30XX100	Common Differential	12 50	20 60	44 70	60 70	60 70	60 70	60 55	60 70	55 60	-	-	-	-



# FD00 Filters

## FD00AA (6, 10 and 20Amp) Dimensions

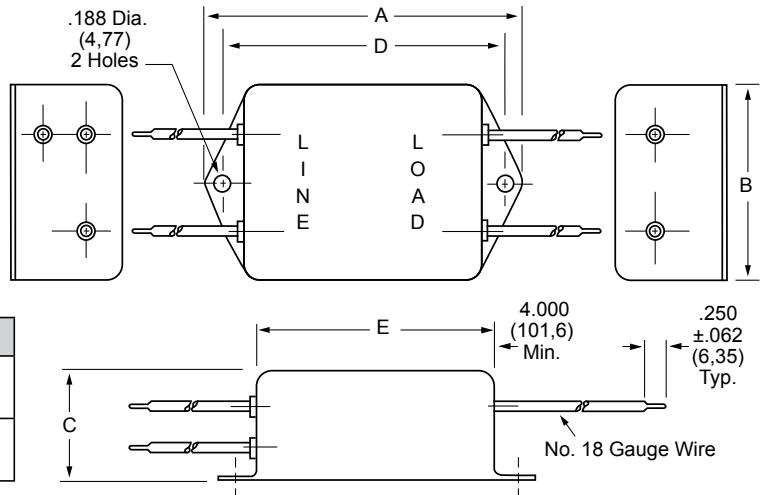


Amps	A	B	C	D	E	F
6A	3.312 (84,1)	2.000 (50,8)	1.125 (28,5)	2.940 (74,7)	2.500 (63,5)	.550 (14,0)
10A	3.312 (84,1)	2.000 (50,8)	1.500 (38,2)	2.940 (74,7)	2.500 (63,5)	.550 (14,0)
20A	See FD00DD below for Case Dimensions					

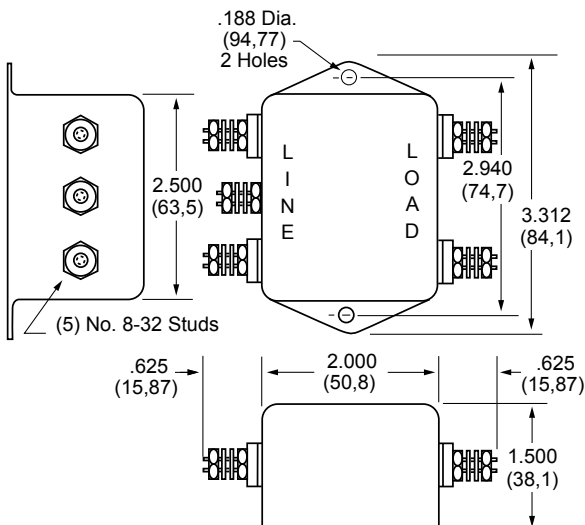
## FD00BB

### (6 and 10Amp) Dimensions

Amps	A	B	C	D	E
6A	3.312 (84,1)	2.000 (50,8)	1.125 (28,5)	2.940 (74,7)	2.500 (50,8)
10A	3.312 (84,1)	2.000 (50,8)	1.500 (38,1)	2.940 (74,70)	2.500 (50,8)



## FD00DD (20Amp) Dimensions



General Purpose

DC FILTERS

Dimensions are in inches and millimeters unless otherwise specified. Values in parentheses are metric equivalents.



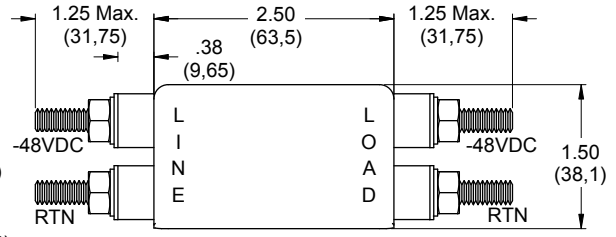
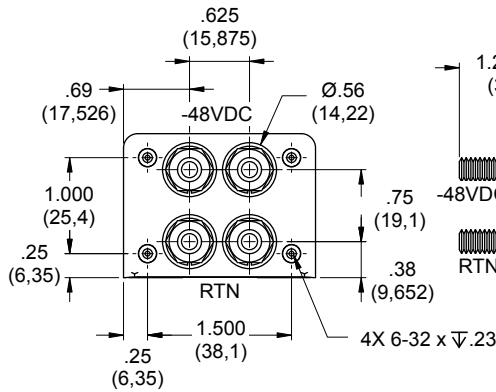
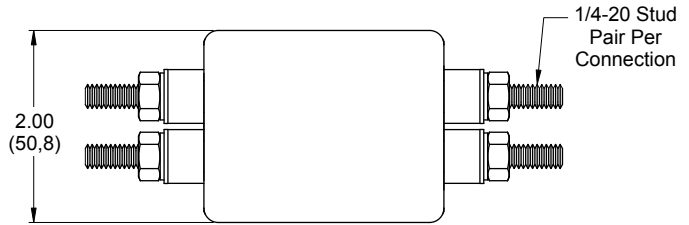
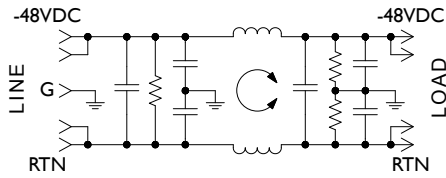
**Curtis Industries**  
A Division of Powers Holdings, Inc.

1-800-657-0853

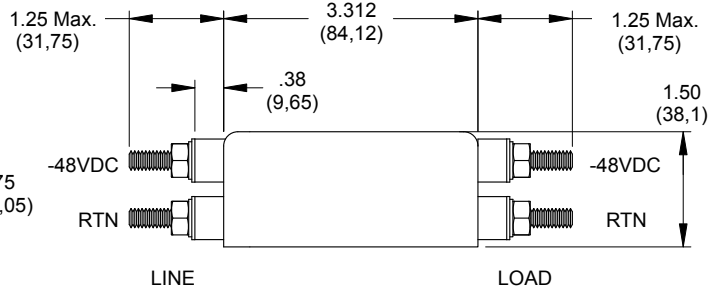
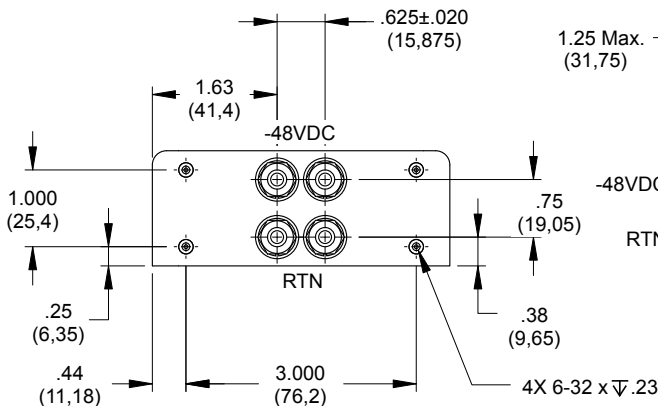
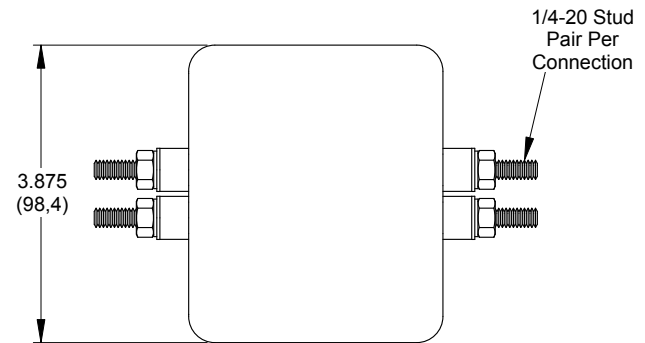
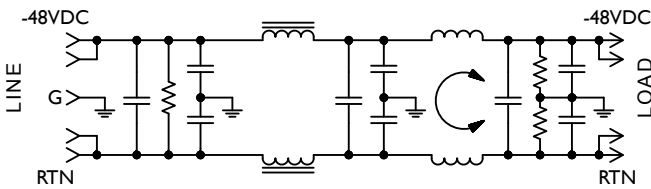
67

# FD00 & FD02 Filters

## FD00DD (25, 50, 75 and 100Amp) Dimensions



## FD02DD (25, 50 and 100Amp) Dimensions



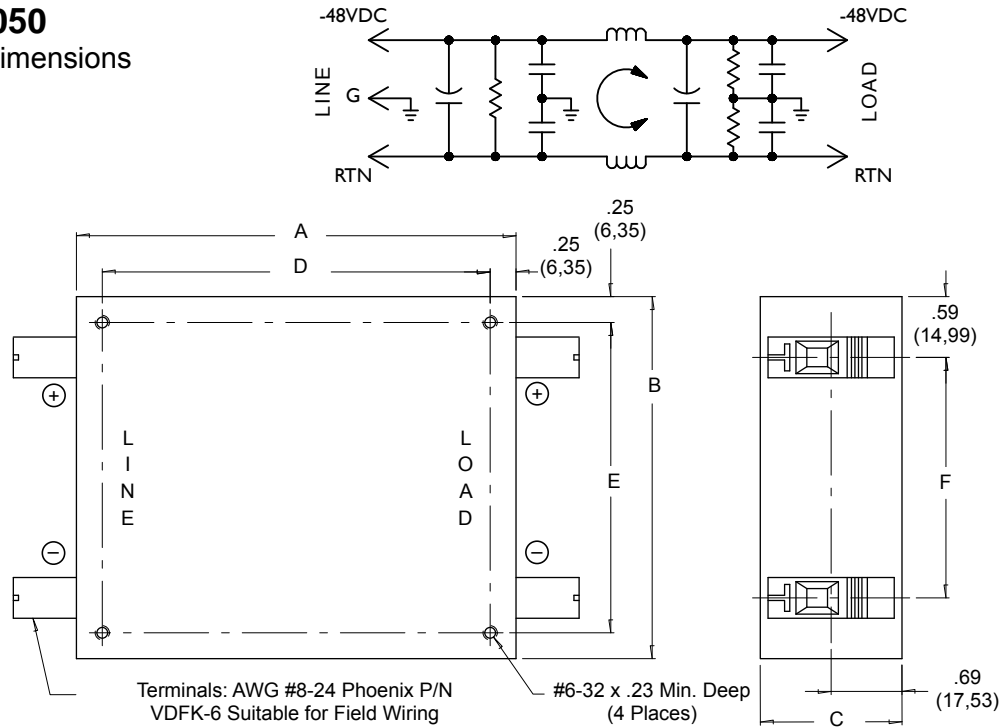
General Purpose

DC FILTERS



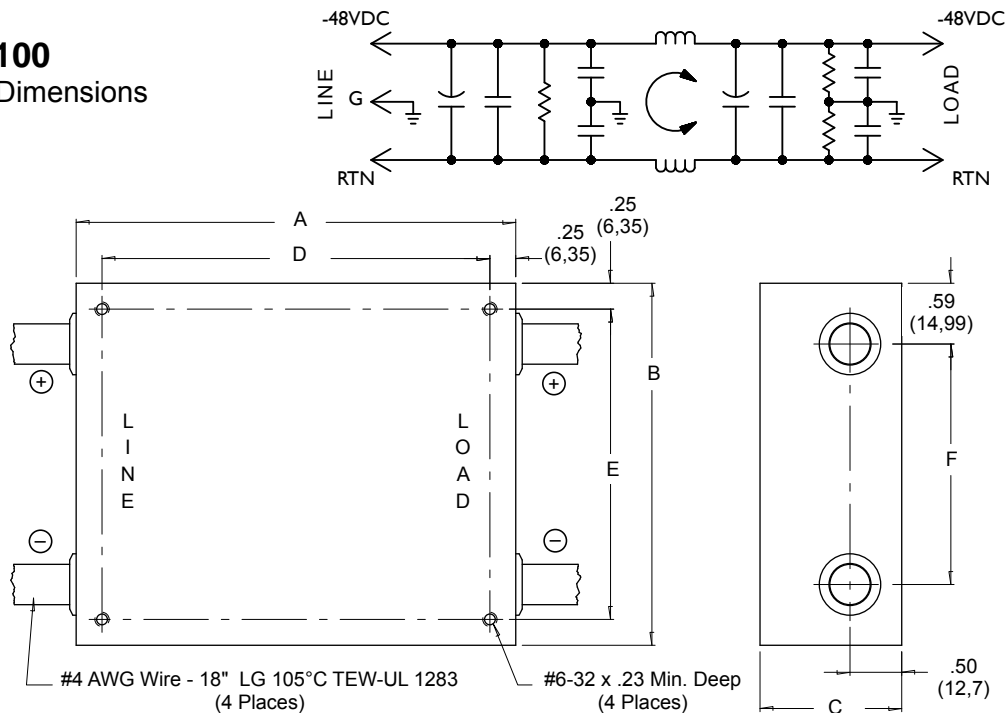
# FD1 Filters

## FD10EE050 (50Amp) Dimensions



Amps	A	B	C	D	E	F
50A	4.25 (107,95)	3.50 (88,9)	1.37 (34,79)	3.750 (95,25)	3.000 (76,2)	2.33 (59,18)
100A	4.25 (107,95)	3.50 (88,9)	1.37 (34,79)	3.750 (95,25)	3.000 (76,2)	2.33 (59,18)

## FD10BB100 (100Amp) Dimensions



High Performance

DC FILTERS

Dimensions are in inches and millimeters unless otherwise specified. Values in parentheses are metric equivalents.



**Curtis Industries**  
A Division of Powers Holdings, Inc.

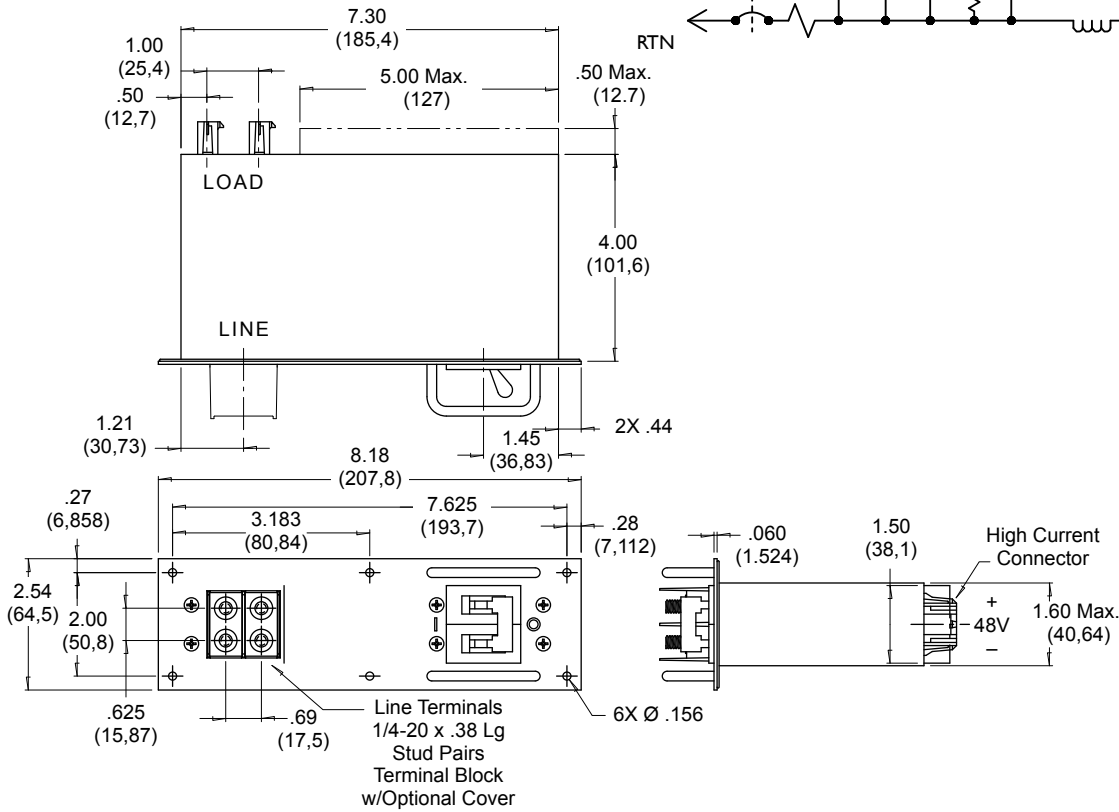
1-800-657-0853

69

# FD2 & FD3 Filters

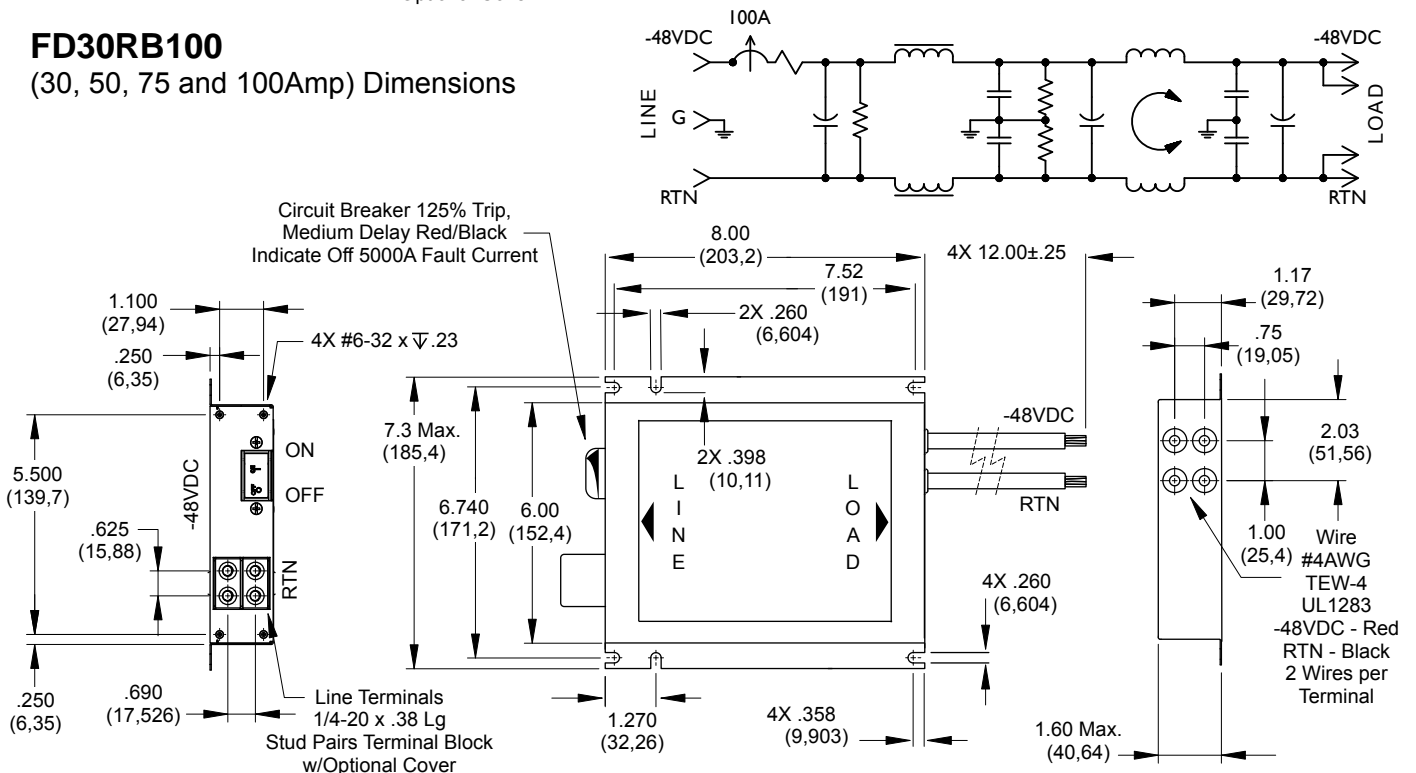
## FD20HC080

(30, 50 and 80Amp) Dimensions



## FD30RB100

(30, 50, 75 and 100Amp) Dimensions



High Performance

DC FILTERS

