

CURRENT SENSE HIGH SIDE SWITCH

Features

- Suitable for 12V systems
- Over current shutdown
- Over temperature shutdown
- Current sensing
- Active clamp
- Low current
- Reverse battery
- ESD protection
- Optimized Turn On/Off for EMI

Applications

- Glow plug
- PTC

Description

The AUIPS6121R is a fully protected four terminal high side switch. It features current sensing, over-current, over-temperature, ESD protection and drain to source active clamp. Shutdown type of protection provides a good reliability under short circuit condition. The I_{fb} pin provides both an analog feedback during normal operation and a digital flag when the part is in protection mode.

Product Summary

R _{ds(on)}	5.8mΩ max.
V _{clamp}	39V typ.
Current shutdown	65A min.

Package

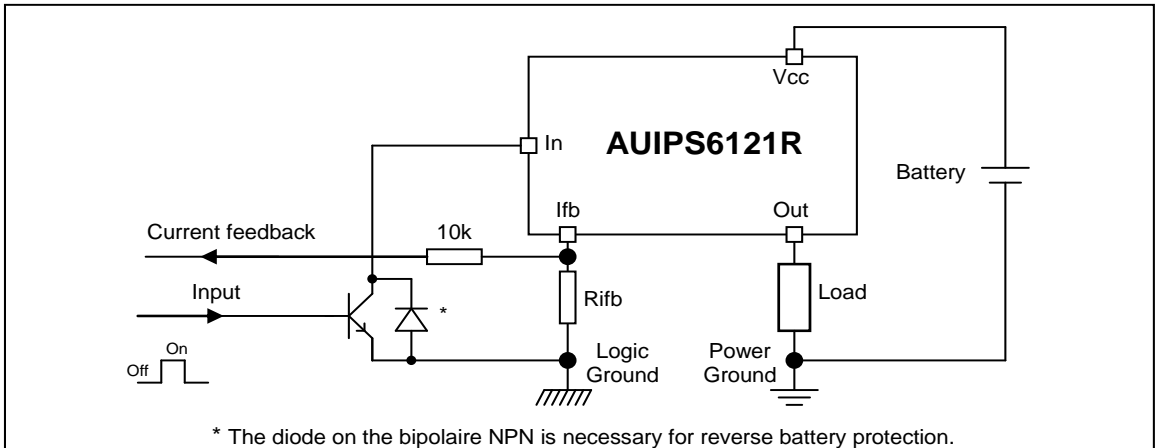


DPak – 5Leads

Ordering Information

Base Part Number	Package Type	Standard Pack		Complete Part Number
		Form	Quantity	
AUIPS6121R	D-Pak-5-Leads	Tube	75	AUIPS6121R
		Tape and reel left	3000	AUIPS6121RTRL

Typical Connection



Absolute Maximum Ratings

Absolute maximum ratings indicate sustained limits beyond which damage to the device may occur. ($T_{\text{ambient}}=25^{\circ}\text{C}$ unless otherwise specified).

Symbol	Parameter	Min.	Max.	Units
Vout	Maximum output voltage	Vcc-39	Vcc+0.3	V
Vcc-Vin max.	Maximum Vcc voltage	-18	39	V
Iifb, max.	Maximum feedback current	-50	10	mA
Vcc sc	Maximum Vcc voltage with short circuit protection see page 7	—	22	V
Pd	Maximum power dissipation (internally limited by thermal protection) Rth=50°C/W Dpak 6cm ² footprint	—	2.5	W
Tj max.	Max. operating junction temperature	-40	150	°C
	Max. storage junction temperature	-55	150	

Thermal Characteristics

Symbol	Parameter	Typ.	Max.	Units
Rth1	Thermal resistance junction to ambient Dpak Std footprint	70	—	°C/W
Rth2	Thermal resistance junction to ambient Dpak 6cm ² footprint	50	—	
Rth3	Thermal resistance junction to case Dpak	1.2	—	

Recommended Operating Conditions

These values are given for a quick design.

Symbol	Parameter	Min.	Max.	Units
Iout	Continuous output current, $T_{\text{ambient}}=85^{\circ}\text{C}$, $T_j=150^{\circ}\text{C}$ Rth=50°C/W, Dpak 6cm ² footprint	—	12	A
F	Maximum frequency	—	50	Hz

Static Electrical Characteristics

T_j = -40°C..150°C, V_{cc} = 6..18V (unless otherwise specified)

Symbol	Parameter	Min.	Typ.	Max.	Units	Test Conditions
V _{cc op.}	Operating voltage range	5.8	—	35	V	
R _{ds(on)}	ON state resistance T _j = 25°C	—	4.8	5.8	mΩ	I _{ds} = 10A
	ON state resistance T _j = 150°C (2)	—	7.5	9		
I _{cc off}	Supply leakage current	—	1	3	μA	V _{in} = V _{cc} = 14V, V _{ifb} = V _{gnd} V _{out} = V _{gnd} , T _j = 25°C
I _{out off}	Output leakage current	—	1	3		
I _{in on}	Input current when device on	1	2.7	6	mA	V _{cc} - V _{in} = 14V
V clamp	V _{cc} to V _{out} clamp voltage	37	39	44		
V _{ih} (1)	High level Input threshold voltage	4.5	5.4	6.2	V	I _d = 20mA
V _{il} (1)	Low level Input threshold voltage	4	5	5.8		
R _{ds(on) rev}	Reverse On state resistance T _j = 25°C	—	6	8	mΩ	I _{sd} = 10A, V _{in} - V _{cc} > 8V
V _f	Forward body diode voltage T _j = 25°C	—	0.8	0.9	V	I _f = 10A
	Forward body diode voltage T _j = 125°C	—	0.6	0.8		
R _{in}	Input resistor	115	200	300	Ω	Built-in resistor

- (1) Input thresholds are measured directly between the input pin and the tab.
- (2) Guaranteed by design

Switching Electrical Characteristics

V_{cc} = 14V, Resistive load = 1Ω, T_j = 25°C

Symbol	Parameter	Min.	Typ.	Max.	Units	Test Conditions
T _{don}	Turn on delay time	20	50	150	μs	See fig. 1
T _r	Rise time from 20% to 80% of V _{cc}	15	35	100		
T _{doff}	Turn off delay time	20	100	250		
T _f	Fall time from 80% to 20% of V _{cc}	15	35	100		

Protection Characteristics

T_j = -40°C..150°C, V_{cc} = 6..18V (unless otherwise specified)

Symbol	Parameter	Min.	Typ.	Max.	Units	Test Conditions
T _{sd}	Over temperature threshold(2)	150	165	—	°C	See fig. 3
I _{sd}	Over-current shutdown	65	90	120	A	
I fault	I _{fb} after an over-current or an over-temperature (latched)	15	20	27	mA	
OV	Over-voltage protection	18	20	22	V	V _{cc} - V _{in}
Psd rst	Time to reset P _{sd}	12	26	60	ms	
Psd UV	Time to shutdown when V _{cc} - Out = UV (3)	0.3	0.7	2		

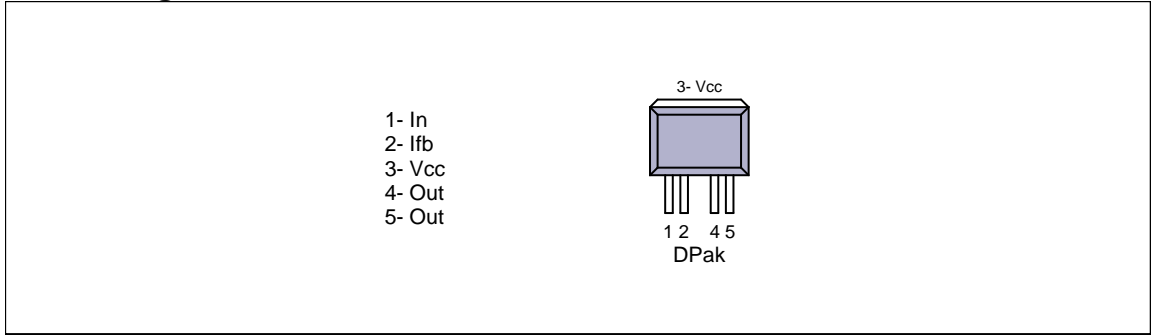
- (3) See explanation page 8

Current Sensing Characteristics

T_j = -40°C..150°C, V_{cc} = 6..18V (unless otherwise specified), V_{cc} - V_{ifb} > 3.5V

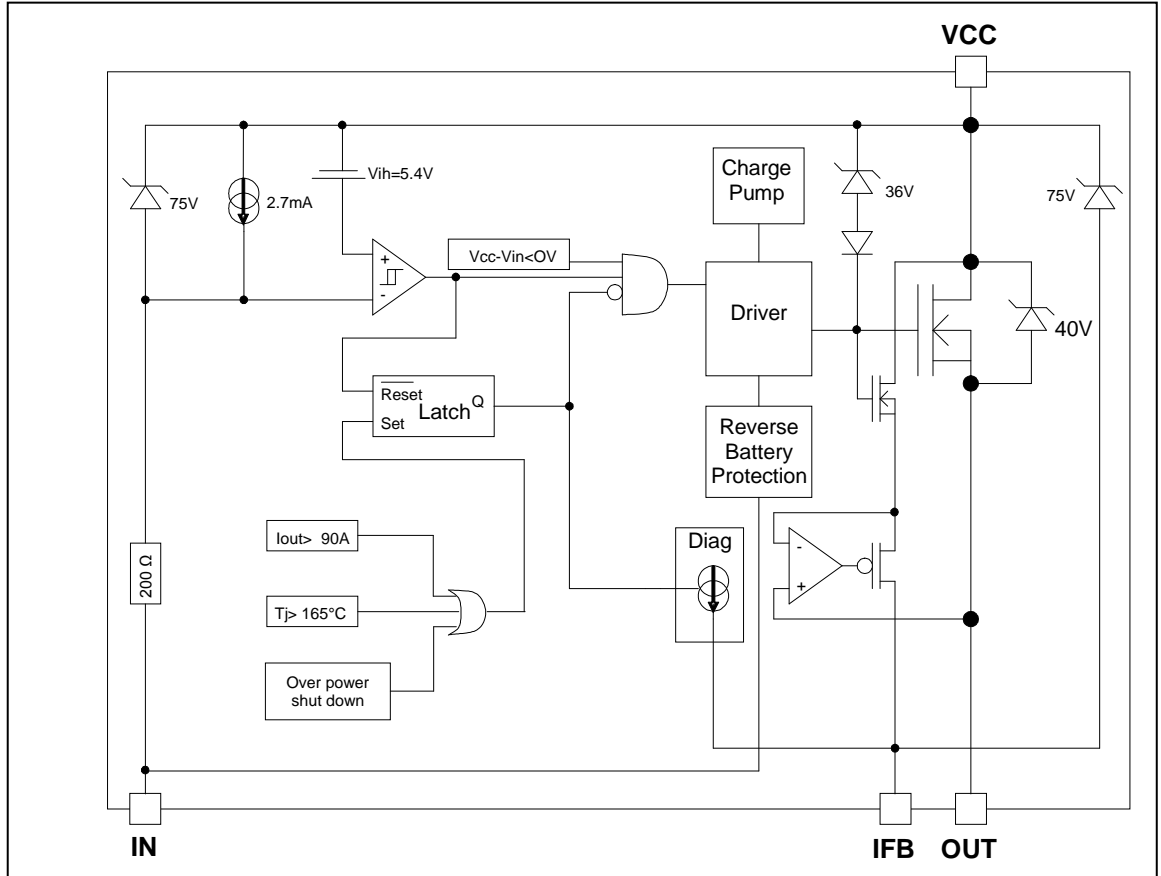
Symbol	Parameter	Min.	Typ.	Max.	Units	Test Conditions
Ratio	I _{load} / I _{fb} current ratio	5000	6300	7600		I _{load} = 60A at V _{cc} = 14V, I _{load} = 30A at V _{cc} = 6V, after 1.5ms, See page 7
Ratio_Cold	Ratio drift between 25°C to -40°C	-6.6	-2.2	2.1	%	Ratio@ -40°/Ratio@25°
Ratio_Hot	Ratio drift between 25°C to 125°C	-1.6	3	7.7		Ratio@125°/Ratio@25°
I offset	Load current offset	-0.15	0	0.15	A	After 1.5ms
I _{fb} leakage	I _{fb} leakage current	0	0.5	25	μA	I _{out} = 0A, V _{cc} - V _{in} = 14V

Lead Assignments



Functional Block Diagram

All values are typical



Truth Table

Op. Conditions	Input	Output	I _{fb} pin voltage
Normal mode	H	L	0V
Normal mode	L	H	I _{load} x R _{fb} / Ratio
Open load	H	L	0V
Open load	L	H	I _{fb} leakage x R _{fb}
Short circuit to GND	H	L	0V
Short circuit to GND	L	L	I _{fault} x R _{fb} (latched)
Over temperature	H	L	0V
Over temperature	L	L	I _{fault} x R _{fb} (latched)

Operating voltage

Maximum V_{cc} voltage : this is the maximum voltage before the breakdown of the IC process.

Operating voltage : This is the V_{cc} range in which the functionality of the part is guaranteed. The AEC-Q100 qualification is run at the maximum operating voltage specified in the datasheet.

Reverse battery

During the reverse battery the Mosfet is turned on if the input pin is powered with a diode in parallel of the input transistor. Power dissipation in the IPS : $P = R_{dson\ rev} * I_{load}^2 + V_{cc}^2 / 200\Omega$ (internal input resistor).

If the power dissipation is too high in R_{fb}, a diode in serial can be added to block the current.

Active clamp

The purpose of the active clamp is to limit the voltage across the MOSFET to a value below the body diode break down voltage to reduce the amount of stress on the device during switching.

The temperature increase during active clamp can be estimated as follows:

$$\Delta T_j = P_{CL} \cdot Z_{TH}(t_{CLAMP})$$

Where: $Z_{TH}(t_{CLAMP})$ is the thermal impedance at t_{CLAMP} and can be read from the thermal impedance curves given in the data sheets.

$P_{CL} = V_{CL} \cdot I_{CLavg}$: Power dissipation during active clamp

$V_{CL} = 39V$: Typical V_{CLAMP} value

$I_{CLavg} = \frac{I_{CL}}{2}$: Average current during active clamp

$t_{CL} = \frac{I_{CL}}{\left| \frac{di}{dt} \right|}$: Active clamp duration

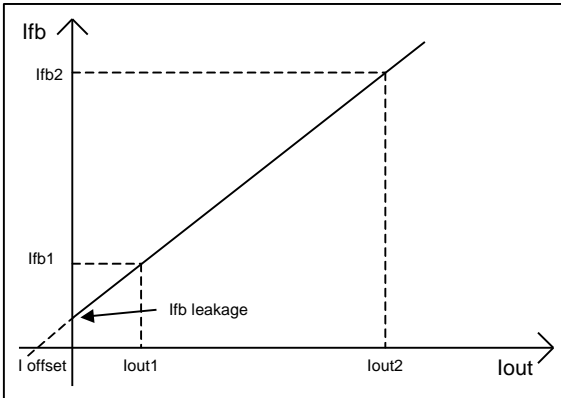
$\frac{di}{dt} = \frac{V_{Battery} - V_{CL}}{L}$: Demagnetization current

Figure 9 gives the maximum inductance versus the load current in the worst case: the part switches off after an over temperature detection. If the load inductance exceeds the curve, a freewheeling diode is required.

Over-current protection

The threshold of the over-current protection is set in order to guarantee that the device is able to turn on a load with an inrush current lower than the minimum of I_{sd}. Nevertheless for high current and high temperature the device may switch off for a lower current due to the over-temperature protection.

Current sensing accuracy



The current sensing is specified by measuring 3 points :

- I_{fb1} for I_{out1}
- I_{fb2} for I_{out2}
- I_{fb leakage} for I_{out}=0

The parameters in the datasheet are computed with the following formula :

$$\text{Ratio} = (I_{out2} - I_{out1}) / (I_{fb2} - I_{fb1})$$

$$I_{offset} = I_{fb1} \times \text{Ratio} - I_{out1}$$

This allows the designer to evaluate the I_{fb} for any I_{out} value using :

$$I_{fb} = (I_{out} + I_{offset}) / \text{Ratio} \text{ if } I_{fb} > I_{fb \text{ leakage}}$$

For some applications, a calibration is required. In that case, the accuracy of the system will depend on the variation of the I_{offset} and the ratio over the temperature range. The ratio variation is given by Ratio_{Hot} and Ratio_{Cold} specified in page 4.

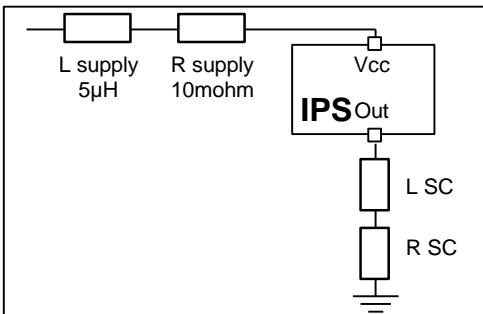
The I_{offset} variation depends directly on the R_{ds(on)}:

$$I_{offset@-40^\circ\text{C}} = I_{offset@25^\circ\text{C}} / 0.8$$

$$I_{offset@150^\circ\text{C}} = I_{offset@25^\circ\text{C}} / 1.9$$

Maximum V_{cc} voltage with short circuit protection

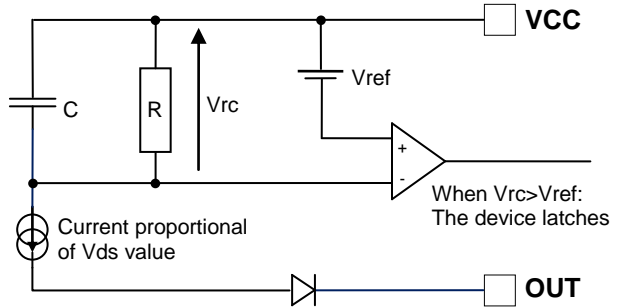
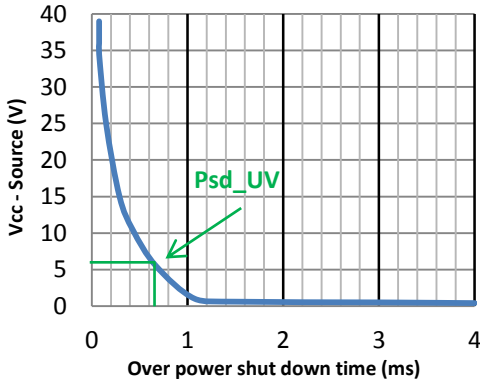
The maximum V_{cc} voltage with short circuit is the maximum voltage for which the part is able to protect itself under test conditions representative of the application. 2 kind of short circuits are considered: terminal and load short circuit.



	L SC	R SC
TerminalSC	0.1 µH	10 mohm
LoadSC	L supply + L SC = 5 µH	100 mohm

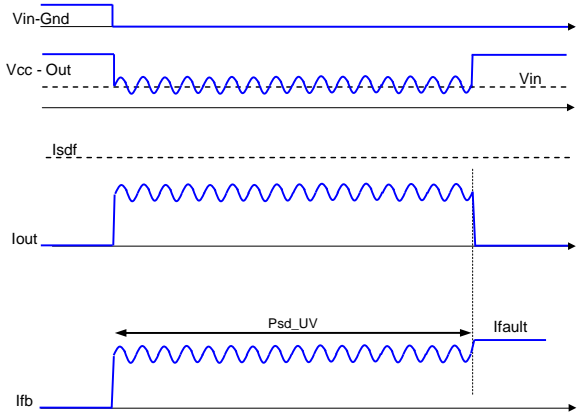
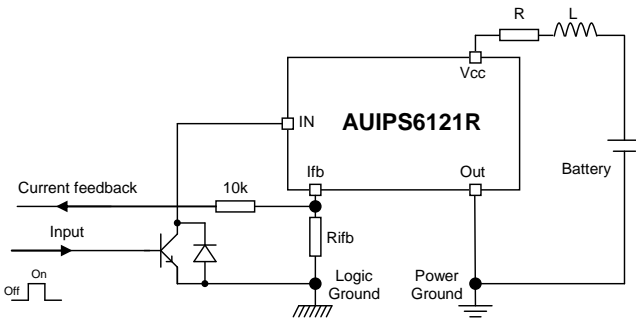
Over power shut down protection

The AUIPS6121R integrates an over-power protection in order to limit the thermal stress in the mosfet during certain conditions like overload or under voltage. The power is measured by monitoring the voltage between Vcc and Source. The device latches more quickly when the power is higher.



When the device is latched: VRC is discharge with an internal constant (Psd rst).

Typical in low voltage condition with a short circuit on the output, the voltage on the Vcc pin will oscillate around the under voltage protection and the 'over-current shut down' will not be triggered. The 'Over power shut down' protection will turn off the part after the time 'Psd_UV' for preventing thermal stress of the device.



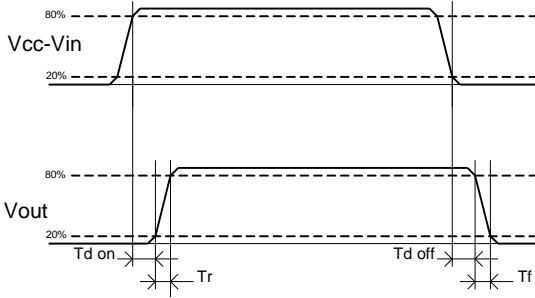


Figure 1 – IN rise time & switching definitions

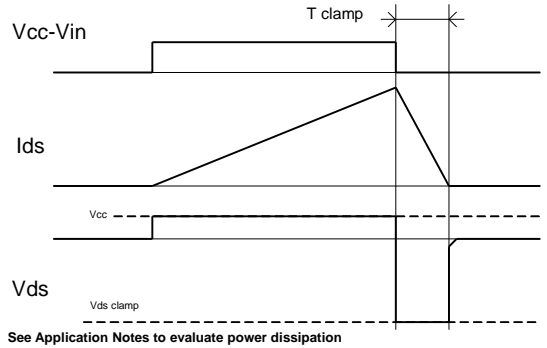


Figure 2 – Active clamp waveforms

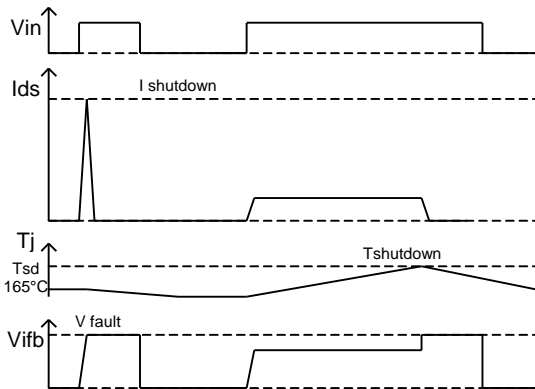


Figure 3 – Protection timing diagram

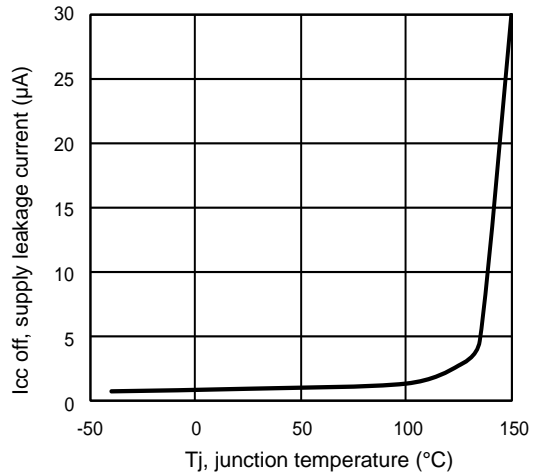


Figure 4 – Icc off (µA) VsTj (°C)

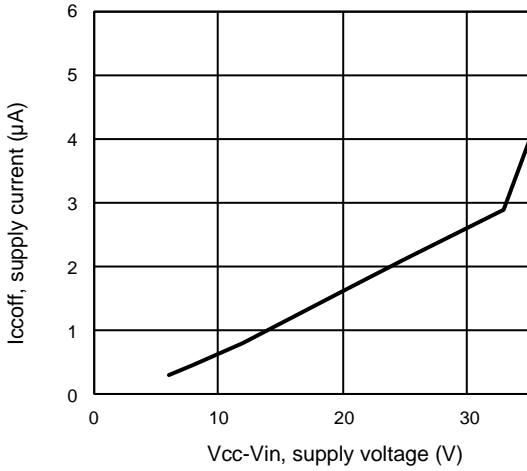


Figure 5 – I_{cc off} (µA) Vs V_{cc}-V_{in} (V)

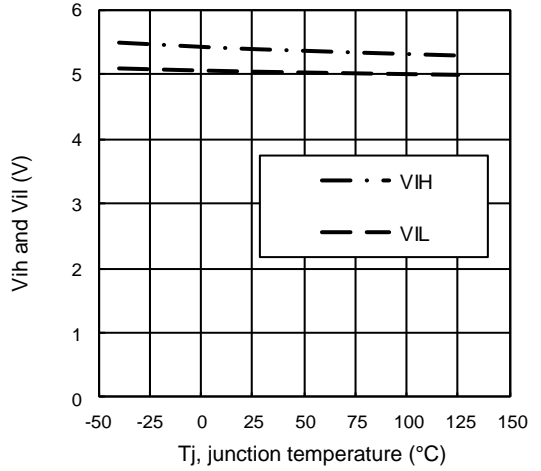


Figure 6 – V_{ih} and V_{il} (V) Vs T_j (°C)

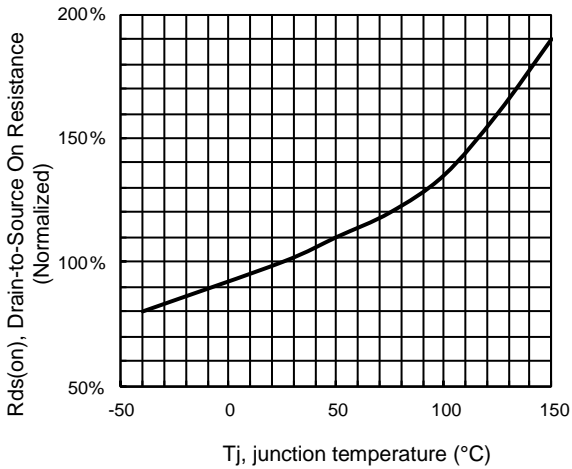


Figure 7 - Normalized R_{ds(on)} (%) Vs T_j (°C)

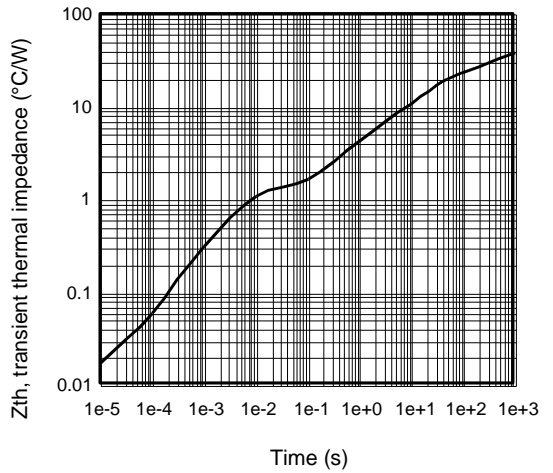


Figure 8 – Transient thermal impedance (°C/W) Vs time (s)

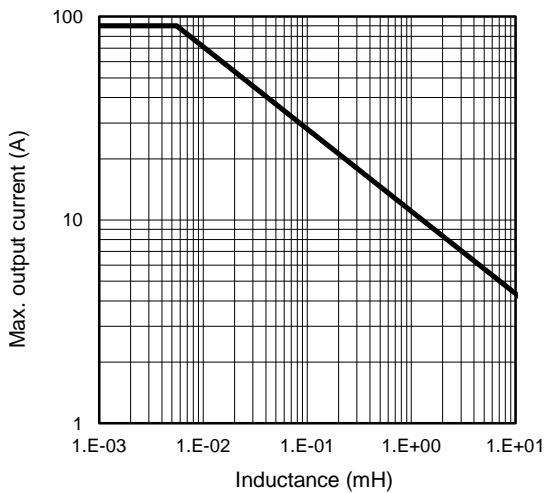
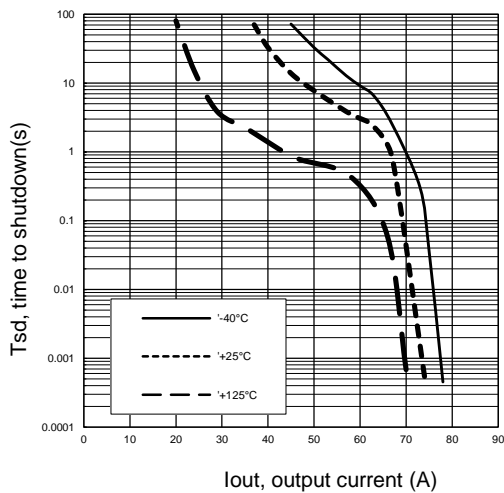
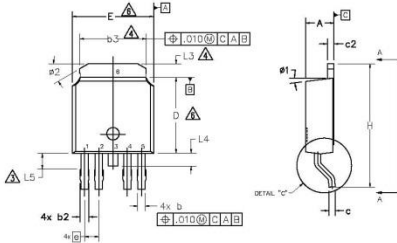
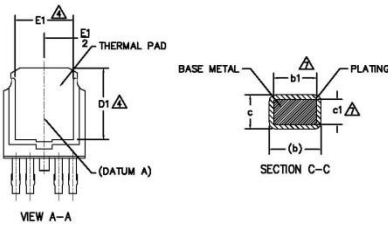
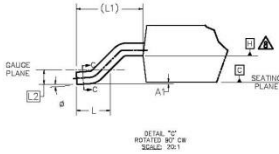


Figure 9 – Max. I_{out} (A) Vs inductance (mH)



**Figure 10 – Tsd (s) Vs I_{out} (A)
SMD with 6cm²**

Case Outline 5 Lead – DPAK



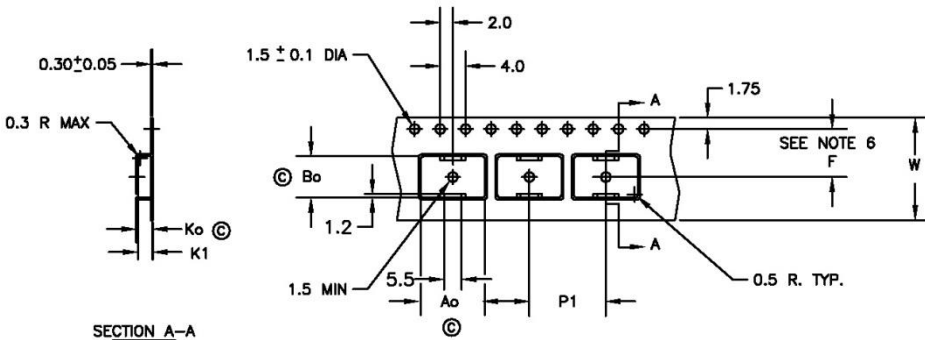
SYMBOL	DIMENSIONS				NOTES
	MILLIMETERS		INCHES		
	MIN.	MAX.	MIN.	MAX.	
A	2.18	2.39	.086	.094	2
A1	—	0.13	—	.005	
b	0.56	0.79	.022	.031	2
b1	.056	0.74	.022	.029	
b2	0.65	0.89	.026	.035	2
b3	4.95	5.46	.195	.215	
c	0.46	0.61	.018	.024	2
c1	0.41	0.56	.016	.022	
c2	0.46	0.89	.018	.035	3
D	5.97	6.22	.235	.245	
D1	5.21	—	.205	—	3
E	6.35	6.73	.250	.265	
E1	4.32	—	.170	—	3
e	1.14 BSC		.045 BSC		
H	9.40	10.41	.370	.410	3
L	1.40	1.78	.055	.070	
L1	2.74 BSC		.108 REF.		3
L2	0.51 BSC		.020 BSC		
L3	0.89	1.27	.035	.050	3
L4	—	1.02	—	.040	
L5	1.14	1.52	.045	.060	3
Ø	0"	10"	0"	10"	
Ø1	0"	15"	0"	15"	3
Ø2	28"	32"	28"	32"	

NOTES:

- 1.— DIMENSIONING AND TOLERANCING AS PER ASME Y14.5M-1994
- 2.— DIMENSION ARE SHOWN IN INCHES [MILLIMETERS]
- 3.— LEAD DIMENSION UNCONTROLLED IN L5.
- 4.— DIMENSION D1, E1, L3 & b3 ESTABLISH A MINIMUM MOUNTING SURFACE FOR THERMAL PAD.
- 5.— SECTION C-C DIMENSIONS APPLY TO THE FLAT SECTION OF THE LEAD BETWEEN .005 AND 0.10 [0.13 AND 0.25] FROM THE LEAD TIP.
- 6.— DIMENSION D & E DO NOT INCLUDE MOLD FLASH. MOLD FLASH SHALL NOT EXCEED .005 [0.13] PER SIDE. THESE DIMENSIONS ARE MEASURED AT THE OUTMOST EXTREMES OF THE PLASTIC BODY.
- 7.— DIMENSION b1 & c1 APPLIED TO BASE METAL ONLY.
- 8.— DATUM A & B TO BE DETERMINED AT DATUM PLANE H.
- 9.— OUTLINE CONFORMS TO JEDEC OUTLINE TO-252.
- 10.— LEADS AND DRAIN ARE PLATED WITH 100% Sn

Note: For the most current drawings please refer to the IR website at:

<http://www.irf.com/package/>

Tape & Reel 5 Lead – DPAK

SECTION A-A

$Ao = 10.5$ mm
 $Bo = 7.0$ mm
 $Ko = 2.8$ mm
 $K1 = 2.4$ mm
 $F = 7.5$ mm
 $P1 = 12.0$ mm
 $W = 16.0 \pm .3$ mm

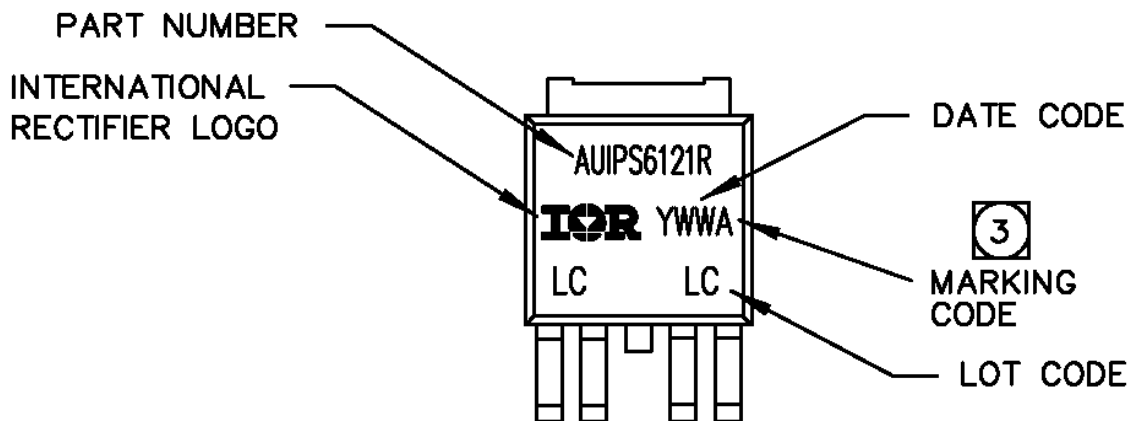
NOTES:

1. 10 SPROCKET HOLE PUNCH CUMULATIVE TOLERANCE $\pm .02$
2. CAMBER NOT TO EXCEED 1mm IN 100mm
3. MATERIAL: CONDUCTIVE BLACK POLYSTYRENE
4. Ao AND Bo MEASURED ON A PLANE 0.3mm ABOVE THE BOTTOM OF THE POCKET
5. Ko MEASURED FROM A PLANE ON THE INSIDE BOTTOM OF THE POCKET TO THE TOP SURFACE OF THE CARRIER
6. POCKET POSITION RELATIVE TO THE SPROCKET HOLE MEASURED AS TRUE POSITION OF POCKET, NOT POCKET HOLE
7. VENDOR: (OPTIONAL)
8. MUST ALSO MEET REQUIREMENTS OF EIA STANDARD #EIA-481A, TAPING OF SURFACE-MOUNT COMPONENTS FOR AUTOMATIC PLACEMENT.
9. TOLERANCE TO BE MANUFACTURER STANDARD
10. SURFACE RESISTIVITY OF MOLDED MATL: MUST MEASURE LESS THAN OR EQUAL TO 10^4 OHMS PER SQUARE. MEASURED IN ACCORDANCE TO PROCEDURE GIVEN IN ASTM D-257 & ASTM D-991 (REF. C-9000 SPEC.)
11. TOTAL LENGTH PER REEL MUST BE 79 METERS
12. © CRITICAL DIMENSION

Note: For the most current drawings please refer to the IR website at:

<http://www.irf.com/package/>

Part Marking Information



Qualification Information[†]

Qualification Level		Automotive (per AEC-Q100)	
		Comments: This family of ICs has passed an Automotive qualification. IR's Industrial and Consumer qualification level is granted by extension of the higher Automotive level.	
Moisture Sensitivity Level		DPAK-5L	MSL2, 260°C (per IPC/JEDEC J-STD-020)
ESD	Machine Model	Class M3 (+/-300V) (per AEC-Q100-003)	
	Human Body Model	Class 2 (+/-3000V) (per AEC-Q100-002)	
	Charged Device Model	Class C6 (+/-1000V) (per AEC-Q100-011)	
IC Latch-Up Test		Class II (per AEC-Q100-004)	
RoHS Compliant		Yes	

[†] Qualification standards can be found at International Rectifier's web site <http://www.irf.com/>

IMPORTANT NOTICE

Unless specifically designated for the automotive market, International Rectifier Corporation and its subsidiaries (IR) reserve the right to make corrections, modifications, enhancements, improvements, and other changes to its products and services at any time and to discontinue any product or services without notice. Part numbers designated with the "AU" prefix follow automotive industry and / or customer specific requirements with regards to product discontinuance and process change notification. All products are sold subject to IR's terms and conditions of sale supplied at the time of order acknowledgment.

IR warrants performance of its hardware products to the specifications applicable at the time of sale in accordance with IR's standard warranty. Testing and other quality control techniques are used to the extent IR deems necessary to support this warranty. Except where mandated by government requirements, testing of all parameters of each product is not necessarily performed.

IR assumes no liability for applications assistance or customer product design. Customers are responsible for their products and applications using IR components. To minimize the risks with customer products and applications, customers should provide adequate design and operating safeguards.

Reproduction of IR information in IR data books or data sheets is permissible only if reproduction is without alteration and is accompanied by all associated warranties, conditions, limitations, and notices. Reproduction of this information with alterations is an unfair and deceptive business practice. IR is not responsible or liable for such altered documentation. Information of third parties may be subject to additional restrictions.

Resale of IR products or serviced with statements different from or beyond the parameters stated by IR for that product or service voids all express and any implied warranties for the associated IR product or service and is an unfair and deceptive business practice. IR is not responsible or liable for any such statements.

IR products are not designed, intended, or authorized for use as components in systems intended for surgical implant into the body, or in other applications intended to support or sustain life, or in any other application in which the failure of the IR product could create a situation where personal injury or death may occur. Should Buyer purchase or use IR products for any such unintended or unauthorized application, Buyer shall indemnify and hold International Rectifier and its officers, employees, subsidiaries, affiliates, and distributors harmless against all claims, costs, damages, and expenses, and reasonable attorney fees arising out of, directly or indirectly, any claim of personal injury or death associated with such unintended or unauthorized use, even if such claim alleges that IR was negligent regarding the design or manufacture of the product.

IR products are neither designed nor intended for use in military/aerospace applications or environments unless the IR products are specifically designated by IR as military-grade or "enhanced plastic." Only products designated by IR as military-grade meet military specifications. Buyers acknowledge and agree that any such use of IR products which IR has not designated as military-grade is solely at the Buyer's risk, and that they are solely responsible for compliance with all legal and regulatory requirements in connection with such use.

IR products are neither designed nor intended for use in automotive applications or environments unless the specific IR products are designated by IR as compliant with ISO/TS 16949 requirements and bear a part number including the designation "AU". Buyers acknowledge and agree that, if they use any non-designated products in automotive applications, IR will not be responsible for any failure to meet such requirements.

For technical support, please contact IR's Technical Assistance Center

<http://www.irf.com/technical-info/>

WORLD HEADQUARTERS:

101 N Sepulveda Blvd., El Segundo, California 90245

Tel: (310) 252-7105