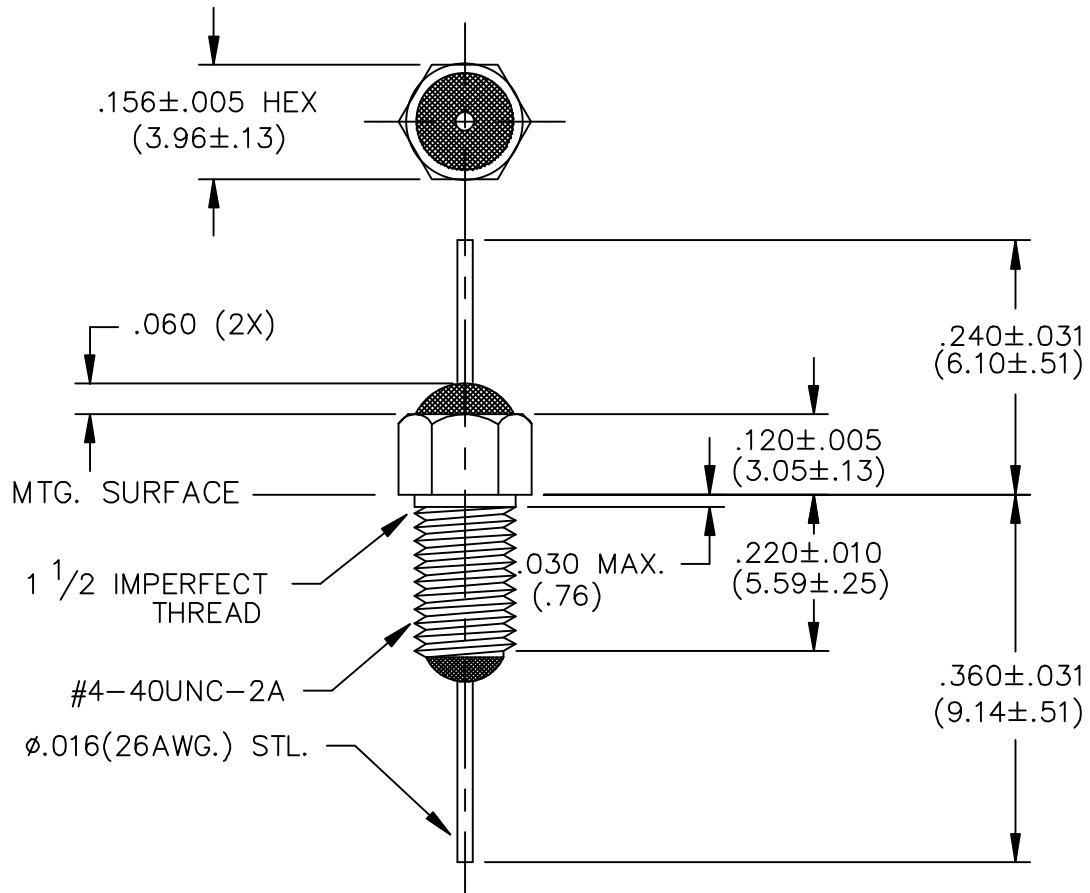


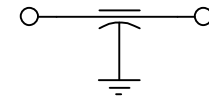
NOTES:

1. HARDWARE IS INCLUDED.
2. THIS IS A LEAD-FREE PRODUCT.




LEAD FINISH:	SOLDER
BUSHING FINISH:	SILVER
CAPACITANCE	.05 uF GMV
TEMP. RANGE	-55°C TO 125°C
CURRENT	5 AMP MAX.
WORKING VOLTAGE	85°C N/A VDC MAX. 125°C 100 VDC MAX.
D.C. RESISTANCE	.01ohms MAX.
MIN. I.L. PER MIL-STD-220 AT 25°C NO LOAD	
FREQ. MHz	I.L. (db)
1	--
10	--
100	--
1 GHz	--
10 GHz	--

SCHEMATIC



MARKING:

PART: SF 503  
 BAG:  
 SCIF-9112-503  
 DATE CODE  
 LOT NO.  
 QTY/BAG (200 MAX.)

				01	REV. NO.	TOLERANCES UNLESS OTHERWISE SPECIFIED	 FAIRVIEW PENNSYLVANIA SPECTRUM CONTROL INC.
			CN 53162-ENG	REDRAWN	CHANGE NOTICE	Fractions ± 1/64	
						Dec. .xx±	
						Dec. .xxx±.031	
						Angles ±0° 30'	
						CODE IDENT. NO. DLSP2	Dwn. KAUFFMAN
							Date 2-15-10
							Engr. B. DEVINE
							Scale NONE
							Description FT RESIN SEAL FILTER SCIF-9112-503