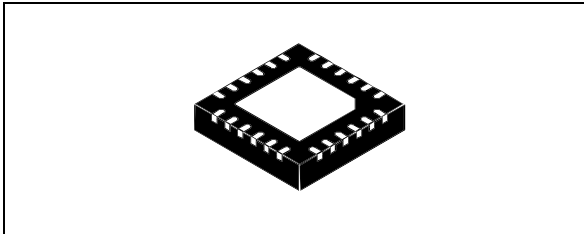


## USB Type-C™ controller with $V_{CONN}$ switch

Datasheet - production data



### Features

- Type-C attach and cable orientation detection
- Power role support: source/sink/DRP
- Configurable start-up profiles
- Integrated power switch for  $V_{CONN}$  supply:
  - programmable current limit up to 600 mA
  - overcurrent, overvoltage, and thermal protection
  - undervoltage lockout
- I<sup>2</sup>C interface and interrupt (optional connection to MCU)
- Integrated  $V_{BUS}$  voltage monitoring
- Integrated  $V_{BUS}$  and  $V_{CONN}$  discharge path
- Low power standby mode
- Dead battery mode support
- High voltage protection
- Accessory mode support
- Dual power supply:
  - $V_{SYS}$  = [3.0 V; 5.5 V]
  - $V_{DD}$  = [4.1 V; 22 V]
- Temperature range: -40 °C up to 105 °C

### Applications

- Smart plugs, wall adapters, and chargers
- Power hubs and docking stations
- Smartphones and tablets
- Gaming and PNDs
- Displays
- Wearable and Internet of Things (IoT)
- Cameras, camcorders, and MP3 players
- Any Type-C source or sink device

### Description

The STUSB1600 is a generic IC designed in a 20 V technology. It addresses USB Type-C™ port management both on the host and/or device side, and is suited for a broad range of applications. It is fully compliant with the USB Type-C cable and connector specifications (Rel. 1.2).

The STUSB1600 can handle all functions from Type-C attach detection, plug orientation detection, host to device connection,  $V_{CONN}$  support, and  $V_{BUS}$  configuration.

Additionally, the STUSB1600 provides support for dead battery operation and is fully customizable (thanks to an integrated non-volatile memory).

**Table 1. Device summary table**

Order code	Description	Package	Marking
STUSB1600QTR	USB Type-C™ controller	QFN24 EP 4x4 mm	USB0X

# Contents

<b>1</b>	<b>Functional description</b>	<b>6</b>
1.1	Block overview	6
<b>2</b>	<b>Inputs/outputs</b>	<b>7</b>
2.1	Pinout	7
2.2	Pin list	8
2.3	Pin description	9
2.3.1	CC1/CC2	9
2.3.2	CC1DB/CC2DB	9
2.3.3	VCONN	9
2.3.4	RESET	10
2.3.5	I <sup>2</sup> C interface pins	10
2.3.6	GND	10
2.3.7	VBUS_VALID	10
2.3.8	ATTACH	10
2.3.9	DEBUG pins	10
2.3.10	A_B_SIDE	11
2.3.11	VBUS_SENSE	11
2.3.12	VBUS_EN_SNK	11
2.3.13	VBUS_EN_SRC	11
2.3.14	VREG1V2	11
2.3.15	VSYS	11
2.3.16	VREG2V7	11
2.3.17	VDD	12
<b>3</b>	<b>Features description</b>	<b>13</b>
3.1	CC interface	13
3.2	V <sub>BUS</sub> power path control	14
3.2.1	V <sub>BUS</sub> monitoring	14
3.2.2	V <sub>BUS</sub> discharge	14
3.2.3	V <sub>BUS</sub> power path assertion	15
3.3	V <sub>CONN</sub> supply	17
3.3.1	V <sub>CONN</sub> input voltage	17
3.3.2	V <sub>CONN</sub> application conditions	17

3.3.3	V <sub>CONN</sub> monitoring	17
3.3.4	V <sub>CONN</sub> discharge	17
3.3.5	V <sub>CONN</sub> control and status	17
3.3.6	V <sub>CONN</sub> power switches	18
3.4	Low power standby mode	19
3.5	Dead battery mode	20
3.6	High voltage protection	20
3.7	Hardware fault management	20
3.8	Accessory mode detection	21
3.8.1	Audio accessory mode detection	21
3.8.2	Debug accessory mode detection	22
<b>4</b>	<b>I<sup>2</sup>C interface</b>	<b>24</b>
4.1	Read and write operations	24
4.2	Timing specifications	25
<b>5</b>	<b>I<sup>2</sup>C register map</b>	<b>27</b>
5.1	Register description	28
5.1.1	ALERT_STATUS	28
5.1.2	ALERT_STATUS_MASK_CTRL	29
5.1.3	CC_CONNECTION_STATUS_TRANS	29
5.1.4	CC_CONNECTION_STATUS	30
5.1.5	MONITORING_STATUS_TRANS	31
5.1.6	MONITORING_STATUS	31
5.1.7	CC_OPERATION_STATUS	32
5.1.8	HW_FAULT_STATUS_TRANS	34
5.1.9	HW_FAULT_STATUS	35
5.1.10	CC_CAPABILITY_CTRL	36
5.1.11	CC_VCONN_SWITCH_CTRL	37
5.1.12	VCONN_MONITORING_CTRL	37
5.1.13	VBUS_MONITORING_RANGE_CTRL	38
5.1.14	RESET_CTRL	38
5.1.15	VBUS_DISCHARGE_TIME_CTRL	39
5.1.16	VBUS_DISCHARGE_STATUS	39
5.1.17	VBUS_ENABLE_STATUS	39
5.1.18	CC_POWER_MODE_CTRL	40

5.1.19 VBUS\_MONITORING\_CTRL ..... 41

**6 Start-up configuration ..... 42**

6.1 User-defined parameters ..... 42

6.2 Default start-up configuration ..... 42

**7 Application ..... 44**

7.1 General information ..... 44

7.1.1 Power supplies ..... 44

7.1.2 Connection to MCU or application processor ..... 44

7.2 USB Type-C typical applications ..... 45

7.2.1 Source type application ..... 45

Application schematic ..... 45

Default start-up configuration ..... 46

V<sub>BUS</sub> power path assertion ..... 47

Device state according to connection state ..... 48

7.2.2 Sink type application ..... 49

Application schematic ..... 49

Default start-up configuration ..... 50

V<sub>BUS</sub> power path assertion ..... 51

Device state according to connection state ..... 52

7.2.3 Dual role type application ..... 54

Application schematic ..... 54

Default start-up configuration ..... 55

V<sub>BUS</sub> power path assertion ..... 56

Device state according to connection state ..... 57

**8 Electrical characteristics ..... 59**

8.1 Absolute maximum ratings ..... 59

8.2 Operating conditions ..... 60

8.3 Electrical and timing characteristics ..... 61

**9 Package information ..... 64**

9.1 QFN24 EP 4x4 mm package information ..... 64

9.2 Thermal Information ..... 66

**10 Terms and abbreviations ..... 67**

**11**      **Revision history** ..... **68**

# 1 Functional description

The STUSB1600 is a USB Type-C controller IC. It is designed to interface with the Type-C receptacle both on host and/or device sides. It is used to establish and manage the source-to-sink connection between two USB Type-C host and device ports.

**The major role of the STUSB1600 is to:**

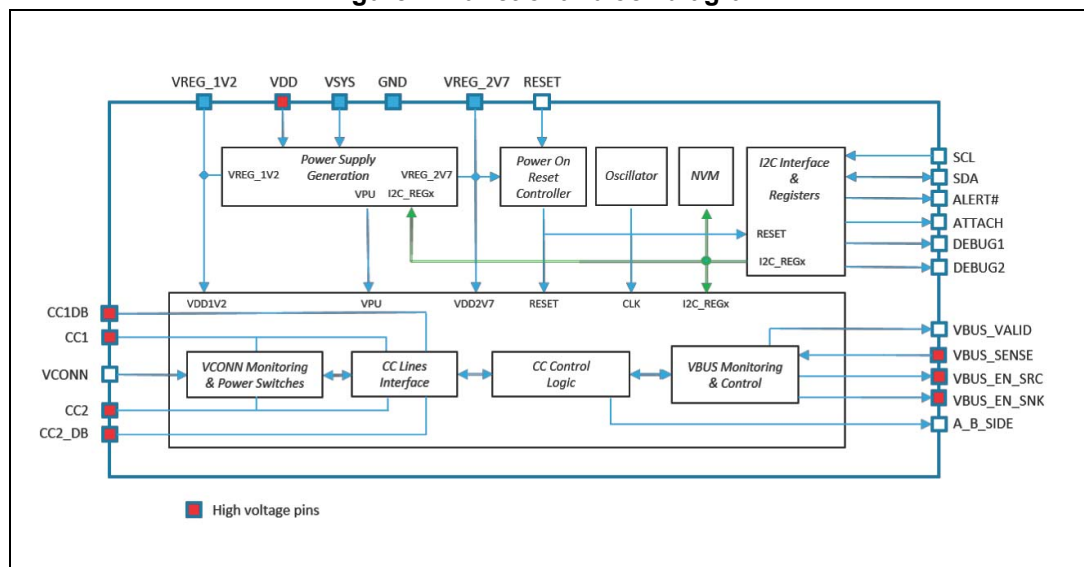
1. Detect the connection between two USB Type-C ports (attach detection)
2. Establish a valid source-to-sink connection
3. Determine the attached device mode: source, sink or accessory
4. Resolve cable orientation and twist connections to establish USB data routing (mux control).
5. Configure and monitor the  $V_{BUS}$  power path
6. Manage  $V_{BUS}$  power capability: USB default, Type-C medium or Type-C high current mode.
7. Configure  $V_{CONN}$  when required

**The STUSB1600 also provides:**

1. Low power standby mode
2. Dead battery mode
3. I<sup>2</sup>C interface and interrupt (optional connection to the MCU)
4. Start-up configuration customization: static through NVM and/or dynamic through I<sup>2</sup>C
5. High voltage protection
6. Accessory mode detection

## 1.1 Block overview

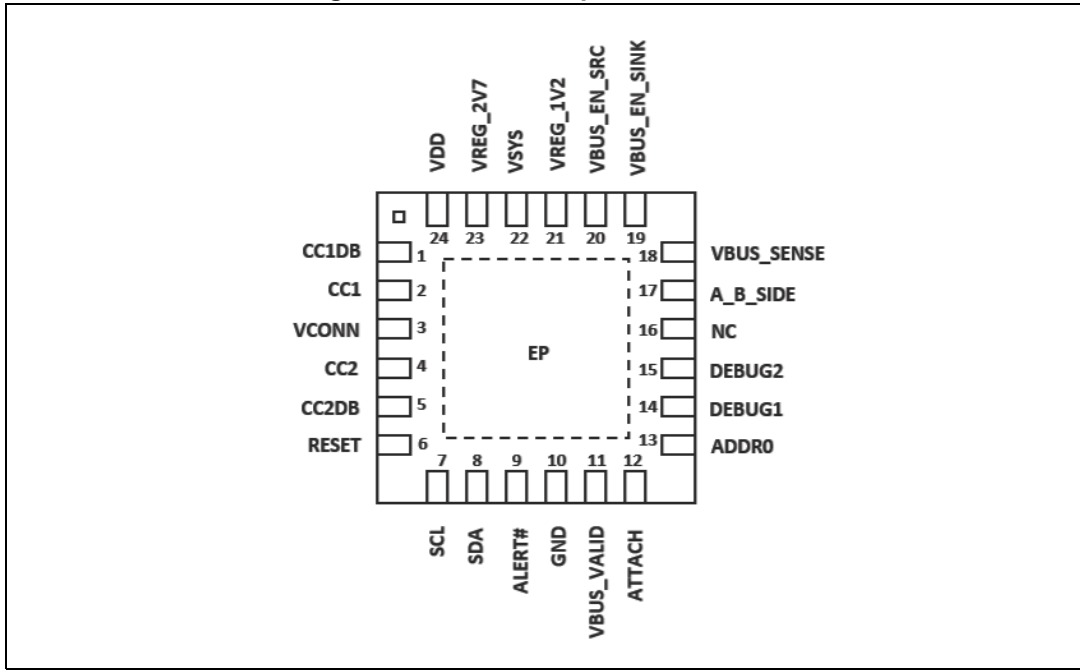
Figure 1. Functional block diagram



## 2 Inputs/outputs

### 2.1 Pinout

Figure 2. STUSB1600 pin connections



## 2.2 Pin list

**Table 2. Pin function list**

Pin	Name	Type	Description	Typical Connection
1	CC1DB	HV AIO	Dead battery enable on CC1 pin	CC1 pin if used or ground
2	CC1	HV AIO	Type-C configuration channel 1	Type-C receptacle A5
3	VCONN	PWR	Power input for active plug	5 V power source
4	CC2	HV AIO	Type-C configuration channel 2	Type-C receptacle B5
5	CC2DB	HV AIO	Dead battery enable on CC2 pin	CC2 pin if used or ground
6	RESET	DI	Reset input (active high)	—
7	SCL	DI	I <sup>2</sup> C clock input	To I <sup>2</sup> C master, ext. pull-up
8	SDA	DI/OD	I <sup>2</sup> C data input/output, active low open drain	To I <sup>2</sup> C master, ext. pull-up
9	ALERT#	OD	I <sup>2</sup> C interrupt, active low open drain	To I <sup>2</sup> C master, ext. pull-up
10	GND	GND	Ground	Ground
11	VBUS_VALID	OD	V <sub>BUS</sub> detection, active low open drain	To MCU if any, ext. pull-up
12	ATTACH	OD	Attachment detection, active low open drain	To MCU if any, ext. pull-up
13	ADDR0	DI	I <sup>2</sup> C device address setting (see <a href="#">Section 4: I<sup>2</sup>C interface</a> )	Static
14	DEBUG1	OD	Debug accessory device detection in sink power role, active low open drain	To MCU if any, ext. pull-up
15	DEBUG2	OD	Debug accessory device detection in source power role, active low open drain	To MCU if any, ext. pull-up
16	NC	—	—	Floating
17	A_B_SIDE	OD	Cable orientation, active low open drain	USB super speed mux select, ext. pull-up
18	VBUS_SENSE	HV AI	V <sub>BUS</sub> voltage monitoring and discharge path	From V <sub>BUS</sub>
19	VBUS_EN_SNK	HV OD	V <sub>BUS</sub> sink power path enable, active low open drain	To switch or power system, ext. pull-up
20	VBUS_EN_SRC	HV OD	V <sub>BUS</sub> source power path enable, active low open drain	To switch or power system, ext. pull-up
21	VREG_1V2	PWR	1.2 V internal regulator output	1 μF typ. decoupling capacitor
22	VSYS	PWR	Power supply from system	From power system, connect to ground if not used
23	VREG_2V7	PWR	2.7 V internal regulator output	1 μF typ. decoupling capacitor
24	VDD	HV PWR	Power supply from USB power line	From V <sub>BUS</sub>
—	EP	GND	Exposed pad is connected to ground	To ground



Table 3. Pin function descriptions

Type	Description
D	Digital
A	Analog
O	Output pad
I	Input pad
IO	Bidirectional pad
OD	Open drain output
PD	Pull-down
PU	Pull-up
HV	High voltage
PWR	Power
GND	Ground

## 2.3 Pin description

### 2.3.1 CC1/CC2

CC1 and CC2 are the configuration channel pins used for connection and attachment detection, plug orientation determination, and system configuration management across the USB Type-C cable.

### 2.3.2 CC1DB/CC2DB

CC1DB and CC2DB are used for dead battery mode when the STUSB1600 is configured in sink power role or dual power role. This mode is enabled by connecting CC1DB and CC2DB respectively to CC1 and CC2. Thanks to this connection, the pull down terminations on the CC pins are present by default even if the device is not supplied (see [Section 3.5: Dead battery mode](#)).

---

**Warning:** CC1DB and CC2DB must be connected to ground when the STUSB1600 is configured in source power role or when dead battery mode is not supported.

---

### 2.3.3 VCONN

This power input is connected to a power source that can be a 5 V power supply or a lithium battery. It is used to provide power to the local plug. It is internally connected to power switches that are protected against short circuit and overvoltage. This does not require any protection on the input side. When a valid source-to-sink connection is determined and the V<sub>CONN</sub> power switches are enabled, V<sub>CONN</sub> is provided by the source to the unused CC pin (see [Section 3.3: V<sub>CONN</sub> supply](#)).

**2.3.4 RESET**

Active high reset

**2.3.5 I<sup>2</sup>C interface pins**

**Table 4. I<sup>2</sup>C interface pin list**

Name	Description
SCL	I <sup>2</sup> C clock, need external pull-up
SDA	I <sup>2</sup> C data, need external pull-up
ALERT#	I <sup>2</sup> C interrupt, need external pull-up
ADDR0	I <sup>2</sup> C device address bit (see <a href="#">Section 4: I<sup>2</sup>C interface</a> )

**2.3.6 GND**

Ground

**2.3.7 VBUS\_VALID**

This pin is asserted during attachment when the V<sub>BUS</sub> is detected on the VBUS\_SENSE pin and the V<sub>BUS</sub> voltage is within the valid operating range. The V<sub>BUS</sub> valid state is also advertised in a dedicated I<sup>2</sup>C register bit (see [Section 5.1: Register description](#)).

**2.3.8 ATTACH**

This pin is asserted when a valid source-to-sink connection is established. It is also asserted when a connection to an accessory device is detected. The attachment state is also advertised in a dedicated I<sup>2</sup>C register bit (see [Section 5.1: Register description](#)).

**2.3.9 DEBUG pins**

These pins are asserted when a debug accessory device is detected according to the running power role.

**Table 5. Debug pin list**

Name	Description
DEBUG1	Asserted when Type-C FSM is in DebugAccessory.SNK state in sink power role
DEBUG2	Asserted when Type-C FSM is in UnorientedDebugAccessory.SRC or OrientedDebugAccessory.SRC states in source power role

### 2.3.10 A\_B\_SIDE

This output pin provides cable orientation. It is used to establish USB SuperSpeed signal routing. The cable orientation is also advertised in a dedicated I<sup>2</sup>C register bit (see [Section 5.1: Register description](#)). This signal is not required in case of USB 2.0 support.

**Table 6. USB data mux select**

Value	CC pin position
HiZ	CC1 pin is attached to CC line
0	CC2 pin is attached to CC line

### 2.3.11 VBUS\_SENSE

This input pin is used to sense V<sub>BUS</sub> presence, monitor V<sub>BUS</sub> voltage, and discharge V<sub>BUS</sub> on the USB Type-C receptacle side.

### 2.3.12 VBUS\_EN\_SNK

In sink power role, this pin allows the incoming V<sub>BUS</sub> power to be enabled when the connection to a source is established and V<sub>BUS</sub> is in the valid operating range. The open drain output allows a PMOS transistor to be directly driven. The logic value of the pin is also advertised in a dedicated I<sup>2</sup>C register bit (see [Section 5.1: Register description](#)).

### 2.3.13 VBUS\_EN\_SRC

In source power role, this pin allows the outgoing V<sub>BUS</sub> power to be enabled when the connection to a sink is established and V<sub>BUS</sub> is in the valid operating range. The open drain output allows a PMOS transistor to be directly driven. The logic value of the pin is also advertised in a dedicated I<sup>2</sup>C register bit (see [Section 5.1: Register description](#)).

### 2.3.14 VREG1V2

This pin is used only for external decoupling of the 1.2 V internal regulator. The recommended decoupling capacitor is: 1 μF typ. (0.5 μF min, 10 μF max).

### 2.3.15 VSYS

This is the low power supply from the system, if there is any. It can be connected directly to a single cell Lithium battery or to the system power supply delivering 3.3 V or 5 V. It is recommended to connect this pin to ground when it is not used.

### 2.3.16 VREG2V7

This pin is used only for external decoupling of the 2.7 V internal regulator. The recommended decoupling capacitor is: 1 μF typ. (0.5 μF min, 10 μF max).

### 2.3.17 VDD

This is the power supply from the USB power line for applications powered by  $V_{BUS}$ .

In source power role, this pin can be used to sense the voltage level of the main power supply providing the  $V_{BUS}$ . It allows UVLO and OVLO thresholds to be considered independently on the VDD pin as additional conditions to enable the  $V_{BUS}$  power path through the VBUS\_EN\_SRC pin (see [Section 3.2.3:  \$V\_{BUS}\$  power path assertion](#)). When the UVLO threshold detection is enabled, the VDD pin must be connected to the main power supply to establish the connection and to assert the  $V_{BUS}$  power path.

## 3 Features description

### 3.1 CC interface

The STUSB1600 controls the connection to the configuration channel (CC) pins, CC1 and CC2, through two main blocks: the CC line interface block and the CC control logic block.

**The CC line interface block is used to:**

- Configure termination mode on the CC pins relative to the power mode supported i.e. pull-up for source power role and pull-down for sink power role.
- Monitor the CC pin voltage values relative to the attachment detection thresholds
- Configure  $V_{\text{CONN}}$  on the unconnected CC pin when required
- Protect the CC pins against overvoltage

**The CC control logic block is used to:**

- Execute the Type-C FSM relative to the Type-C power mode supported
- Determine the electrical state for each CC pin relative to the detected thresholds
- Evaluate the conditions relative to the CC pin states and the  $V_{\text{BUS}}$  voltage value to transition from one state to another in the Type-C FSM.
- Detect and establish a valid source-to-sink connection
- Determine the attached device mode: source, sink or accessory
- Determine cable orientation to allow external routing of the USB data
- Manage  $V_{\text{BUS}}$  power capability: USB default, Type-C medium or Type-C high current mode.
- Handle hardware faults

**The CC control logic block implements the Type-C FSMs corresponding to the following Type-C power modes:**

- Source power role with accessory support
- Sink power role with accessory support
- Sink power role without accessory support
- Dual power role with accessory support
- Dual power role with accessory and Try.SRC support
- Dual power role with accessory and Try.SNK support

The default Type-C power mode is selected through NVM programming (see [Section 6: Start-up configuration](#)) and can be changed by software during operation through the I<sup>2</sup>C interface (see [Section 5.1: Register description](#)).

## 3.2 V<sub>BUS</sub> power path control

### 3.2.1 V<sub>BUS</sub> monitoring

The V<sub>BUS</sub> monitoring block supervises (from the VBUS\_SENSE pin) the V<sub>BUS</sub> voltage on the USB Type-C receptacle side.

It is used to check that the V<sub>BUS</sub> is within a valid voltage range:

- To establish a valid source-to-sink connection according to USB Type-C standard specifications.
- To safely enable the V<sub>BUS</sub> power path through the VBUS\_EN\_SRC pin or VBUS\_EN\_SNK pin depending on the power role.

It allows detection of unexpected V<sub>BUS</sub> voltage conditions such as undervoltage or overvoltage relative to the valid V<sub>BUS</sub> voltage range. When such conditions occur, the STUSB1600 reacts as follows:

- At attachment, it prevents the source-to-sink connection and the V<sub>BUS</sub> power path assertion.
- After attachment, it deactivates the source-to-sink connection and disables the V<sub>BUS</sub> power path. In source power role, the device goes into error recovery state. In Sink power role, the device goes into unattached state.

The valid V<sub>BUS</sub> voltage range is defined from the V<sub>BUS</sub> nominal voltage by a high threshold voltage and a low threshold voltage whose nominal values are respectively V<sub>BUS</sub>+5% and V<sub>BUS</sub>-5%. The nominal threshold limits can be shifted by a fraction of V<sub>BUS</sub> from +1% to +15% for the high threshold voltage and from -1% to -15% for the low threshold voltage. This means the threshold limits can vary from V<sub>BUS</sub>+5% to V<sub>BUS</sub>+20% for the high limit and from V<sub>BUS</sub>-5% to V<sub>BUS</sub>-20% for the low limit.

The threshold limits are preset by default in the NVM with different shift coefficients depending on whether the device operates in source power role or in sink power role (see [Section 8.3: Electrical and timing characteristics](#)). The threshold limits can be changed independently through NVM programming (see [Section 6: Start-up configuration](#)) and also by software during attachment through the I<sup>2</sup>C interface (see [Section 5.1: Register description](#)).

### 3.2.2 V<sub>BUS</sub> discharge

The monitoring block also handles the internal V<sub>BUS</sub> discharge path connected to the VBUS\_SENSE pin. The discharge path is activated at detachment, or when the device goes into the error recovery state whatever the power role (see [Section 3.7: Hardware fault management](#)).

The V<sub>BUS</sub> discharge path is enabled by default in the NVM and can be disabled through NVM programming only (see [Section 6: Start-up configuration](#)). The discharge time duration is also preset by default in the NVM (see [Section 8.3: Electrical and timing characteristics](#)). The discharge time duration can be changed through NVM programming (see [Section 6: Start-up configuration](#)) and also by software through the I<sup>2</sup>C interface (see [Section 5.1: Register description](#)).

### 3.2.3 V<sub>BUS</sub> power path assertion

The STUSB1600 can control the assertion of the V<sub>BUS</sub> power path on the USB Type-C port, directly or indirectly, through the VBUS\_EN\_SRC and VBUS\_EN\_SNK pins according to the system power role.

The tables below summarize the configurations and the conditions that determine the electrical value of the VBUS\_EN\_SRC and VBUS\_EN\_SNK pins during system operation.

**Table 7. Conditions for V<sub>BUS</sub> power path assertion in source power role**

Pin	Electrical value	Operation conditions			Comment
		Type-C attached state	VDD pin monitoring	VBUS_SENSE pin monitoring	
VBUS_EN_SRC	0	Attached.SRC or UnorientedDebug Accessory.SRC or OrientedDebug Accessory.SRC	VDD > UVLO if VDD_UVLO enabled and/or VDD < OVLO if VDD_OVLO enabled	V <sub>BUS</sub> is within valid voltage range if VBUS_VALID_RANGE enabled or V <sub>BUS</sub> > UVLO if VBUS_VALID_RANGE disabled	The signal is asserted only if all the valid operation conditions are met
	HiZ	Any other state	VDD < UVLO if VDD_UVLO enabled and/or VDD > OVLO if VDD_OVLO enabled	V <sub>BUS</sub> is out of valid voltage range if VBUS_VALID_RANGE enabled or V <sub>BUS</sub> < UVLO if VBUS_VALID_RANGE disabled	The signal is de-asserted when at least one non valid operation condition is met

As specified in the USB Type-C standard specification, the attached state “Attached.SRC” is reached only if the voltage on the V<sub>BUS</sub> receptacle side is at vSafe0V condition when a connection is detected.

Table 8. Conditions for V<sub>BUS</sub> power path assertion in sink power role

Pin	Electrical value	Operation conditions			Comment
		Type-C attached state	VDD pin monitoring	VBUS_SENSE pin monitoring	
VBUS_EN_SNK	0	Attached.SNK or Debug Accessory.SNK	Not applicable	VBUS is within valid voltage range if VBUS_VALID_RANGE enabled or VBUS > UVLO if VBUS_VALID_RANGE disabled	The signal is asserted only if all the valid operation conditions are met
	HiZ	Any other state	Not applicable	VBUS is out of valid voltage range if VBUS_VALID_RANGE enabled or VBUS < UVLO if VBUS_VALID_RANGE disabled	The signal is de-asserted when at least one non valid operation condition is met

“Type-C attached state” refers to the Type-C FSM states as defined in the USB Type-C standard specification and as described in the I<sup>2</sup>C register CC\_OPERATION\_STATUS (see [Section 5.1: Register description](#)).

“VDD pin monitoring” is valid only in source power role. Activation of the UVLO and OVLO threshold detections can be done through NVM programming (see [Section 6: Start-up configuration](#)) and also by software through the I<sup>2</sup>C interface (see [Section 5.1: Register description](#)). When the UVLO and/or OVLO threshold detection is activated, the VBUS\_EN\_SRC pin is asserted only if the device is attached and the valid threshold conditions on VDD are met. Once the VBUS\_EN\_SRC pin is asserted, the V<sub>BUS</sub> monitoring is done on VBUS\_SENSE pin instead of the VDD pin.

“VBUS\_SENSE pin monitoring” relies, by default, on a valid V<sub>BUS</sub> voltage range. The voltage range condition can be disabled to consider UVLO threshold detection instead. The monitoring condition of the V<sub>BUS</sub> voltage can be changed through NVM programming (see [Section 6: Start-up configuration](#)) and also by software through the I<sup>2</sup>C interface (see [Section 5.1: Register description](#)). The VBUS\_EN\_SRC pin is maintained asserted as long as the device is attached and a valid voltage condition on the V<sub>BUS</sub> is met.



### 3.3 $V_{\text{CONN}}$ supply

#### 3.3.1 $V_{\text{CONN}}$ input voltage

$V_{\text{CONN}}$  is a regulated supply used to power circuits in the plug of the USB3.1 full-featured cables and other accessories. The  $V_{\text{CONN}}$  nominal operating voltage is 5.0 V  $\pm$ 5 %.

#### 3.3.2 $V_{\text{CONN}}$ application conditions

The  $V_{\text{CONN}}$  pin of the STUSB1600 is connected to each CC pin (CC1 and CC2) across independent power switches.

The STUSB1600 applies  $V_{\text{CONN}}$  only to the CC pin not connected to the CC wire when all below conditions are met:

- The device is configured in source power role or dual power role
- $V_{\text{CONN}}$  power switches are enabled
- A valid connection to a sink is achieved
- Ra presence is detected on the unwired CC pin
- A valid power source is applied on the  $V_{\text{CONN}}$  pin with respect to a predefined UVLO threshold.

The STUSB1600 does not provide  $V_{\text{CONN}}$  when it is operating in sink power role.

#### 3.3.3 $V_{\text{CONN}}$ monitoring

The  $V_{\text{CONN}}$  monitoring block detects whether the  $V_{\text{CONN}}$  power supply is available on the  $V_{\text{CONN}}$  pin. It is used to check that the  $V_{\text{CONN}}$  voltage is above a predefined undervoltage lockout (UVLO) threshold to allow enabling of the  $V_{\text{CONN}}$  power switches.

The default value of the UVLO threshold is 4.65 V typical for powered cables operating at 5 V. This value can be changed by software to 2.65 V typical to support  $V_{\text{CONN}}$ -powered accessories that operate down to 2.7 V (see [Section 5.1: Register description](#)).

#### 3.3.4 $V_{\text{CONN}}$ discharge

The behavior of Type-C FSMs is extended with an internal  $V_{\text{CONN}}$  discharge path capability on the CC pins in source power mode only. The discharge path is activated during 250 ms from sink detachment detection. This feature is disabled by default. It can be activated through NVM programming (see [Section 6: Start-up configuration](#)) and also by software through the I<sup>2</sup>C interface (see [Section 5.1: Register description](#)).

#### 3.3.5 $V_{\text{CONN}}$ control and status

The supplying conditions of  $V_{\text{CONN}}$  across the STUSB1600 are managed through the I<sup>2</sup>C interface. Different I<sup>2</sup>C registers and bits are used specifically for this purpose (see [Section 5.1: Register description](#)).

### 3.3.6 V<sub>CONN</sub> power switches

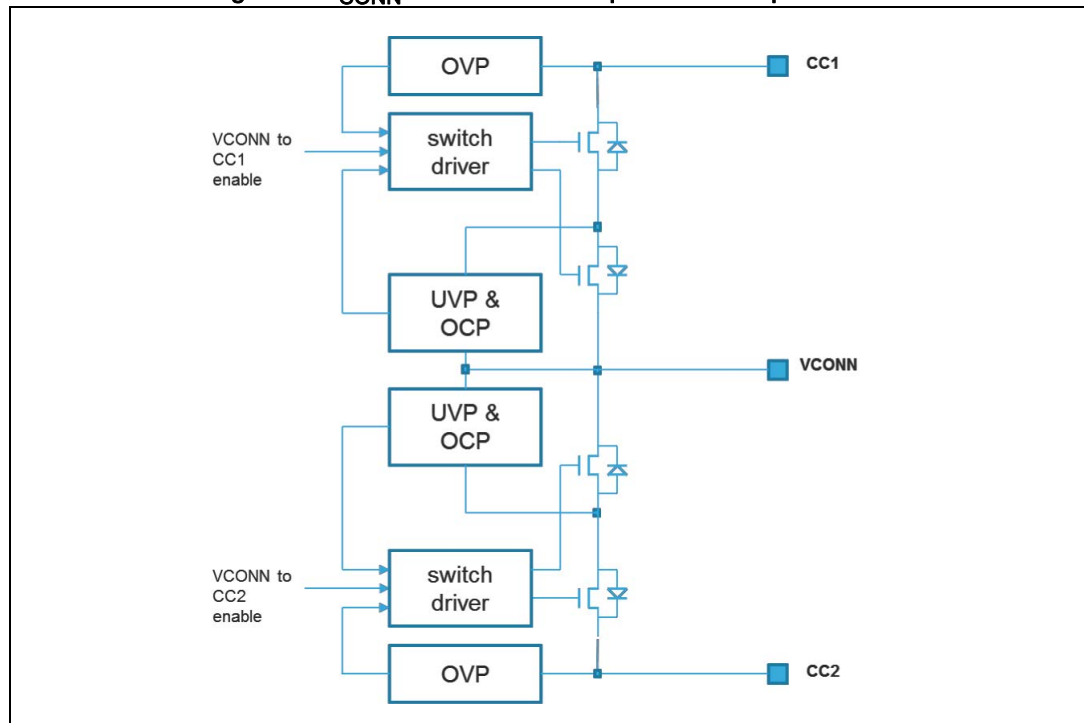
#### Features

The STUSB1600 integrates two current limited high-side power switches with protection that tolerates high voltage up to 22 V on the CC pins.

Each V<sub>CONN</sub> power switch presents the following features:

- Soft-start to limit inrush current
- Constant current mode overcurrent protection
- Adjustable current limit
- Thermal protection
- Undervoltage and overvoltage protection
- Reverse current and reverse voltage protection

Figure 3. V<sub>CONN</sub> to CC1 and CC2 power switch protection



#### Current limit programming

The current limit can be set within the range 100 mA to 600 mA by a step of 50 mA. The default current limit is programmed through NVM programming (see [Section 6: Start-up configuration](#)) and can be changed by software through the I<sup>2</sup>C interface (see [Section 5.1: Register description](#)). At power-on or after a reset, the current limit takes the default value preset in the NVM.

#### Fault management

The table below summarizes the different fault conditions that could occur during operation of the switch and the associated responses. An I<sup>2</sup>C alert is generated when a fault condition happens (see [Section 5.1: Register description](#)).

Table 9. Fault management conditions

Fault types	Fault conditions	Expected actions
Short circuit	CC output pin shorted to ground via very low resistive path causing rapid current surge	Power switch limits the current and reduces the output voltage. I <sup>2</sup> C alert is asserted immediately thanks to VCONN_SW_OCP_FAULT bits.
Overcurrent	CC output pin connected to a load that sinks current above programmed limit	Power switch limits the current and reduces the output voltage. I <sup>2</sup> C alert is asserted immediately thanks to VCONN_SW_OCP_FAULT bits.
Overheating	Junction temperature exceeding 145 °C due to any reason	Power switch is disabled immediately until the temperature falls below 145 °C minus hysteresis of 15 °C. I <sup>2</sup> C alert is asserted immediately thanks to THERMAL_FAULT bit. STUSB1600 goes into transient error recovery state.
Undervoltage	V <sub>CONN</sub> input voltage drops below UVLO threshold minus hysteresis	Power switch is disabled immediately until the input voltage rises above the UVLO threshold. I <sup>2</sup> C alert is asserted immediately thanks to VCONN_PRESENCE bit.
Overvoltage	CC output pin voltage exceeds maximum operating limit of 6.0 V	Power switch is opened immediately until the voltage falls below the voltage limit. I <sup>2</sup> C alert is asserted immediately thanks to VCONN_SW_OVP_FAULT bits.
Reverse current	CC output pin voltage exceeds V <sub>CONN</sub> input voltage when the power switch is turned-off	The reverse biased body diode of the back-to-back MOS switches is naturally disabled preventing current to flow from the CC output pin to the input.
Reverse voltage	CC output pin voltage exceeds V <sub>CONN</sub> input voltage of more than 0.35 V for 5 V when the power switch is turned-on	Power switch is opened immediately until the voltage difference falls below the voltage limit. I <sup>2</sup> C alert is asserted immediately thanks to VCONN_SW_RVP_FAULT bits.

### 3.4 Low power standby mode

The STUSB1600 proposes a standby mode to reduce the device power consumption when no device is connected to the USB Type-C port. It is disabled by default and can be activated through NVM programming (see [Section 6: Start-up configuration](#)).

When activated, the STUSB1600 enters standby mode at power up, after a reset, or after a disconnection. In this mode, the CC interface and the voltages monitoring blocks are turned off. Only a monitoring circuitry is maintained active on the CC pins to detect a connection. When the connection is detected, all the internal circuits are turned on to allow normal operation.

Standby mode does not operate when the device is configured in sink power role with accessory support (see [Section 6: Start-up configuration](#)).

### 3.5 Dead battery mode

Dead battery mode allows systems powered by a battery to be supplied by the  $V_{BUS}$  when the battery is discharged and to start the battery charging process. This mode is also used in systems that are powered through the  $V_{BUS}$  only.

Dead battery mode is only supported in sink power role and dual power role configurations. It operates only if the CC1DB and CC2DB pins are connected respectively to the CC1 and CC2 pins. Thanks to these connections, the STUSB1600 presents a pull down termination on its CC pins and advertises itself as a sink even if the device is not supplied.

When a source system connects to a USB Type-C port with the STUSB1600 configured in dead battery mode, it can detect the pull down termination, establish the source-to-sink connection, and provide the  $V_{BUS}$ . The STUSB1600 is then supplied thanks to the VDD pin connected to the  $V_{BUS}$  on the USB Type-C receptacle side. The STUSB1600 can finalize the source-to-sink connection and enable the power path on the  $V_{BUS}$  thanks to the VBUS\_EN\_SNK pin which allows the system to be powered.

### 3.6 High voltage protection

The STUSB1600 can be safely used in systems or connected to systems that handle high voltage on the  $V_{BUS}$  power path. The device integrates an internal circuitry on the CC pins that tolerates high voltages and ensures protection up to 22 V in case of unexpected short circuits with the  $V_{BUS}$  or in the case of a connection to a device supplying high voltage on the  $V_{BUS}$ .

### 3.7 Hardware fault management

The STUSB1600 handles hardware fault conditions related to the device itself and to the  $V_{BUS}$  power path during system operation.

When such conditions happen, the circuit goes into a transient error recovery state named ErrorRecovery in the Type-C FSM. The error recovery state is sufficient to force a detach event.

When entering in this state, the device de-asserts the  $V_{BUS}$  power path by disabling the VBUS\_EN\_SRC and VBUS\_EN\_SNK pins, and it removes the terminations from the CC pins during several tens of milliseconds. Then, it transitions to the unattached state related to the configured power mode.

The STUSB1600 goes into error recovery state when at least one condition listed below is met:

- Whatever the power role:
  - If an overtemperature is detected, the “THERMAL\_FAULT” bit set to 1b
- In source power role only:
  - If an internal pull-up voltage on CC pins is below UVLO threshold, the “VPU\_VALID” bit set to 0b.
  - If an overvoltage is detected on the CC pins, the “VPU\_OVP\_FAULT” bit set to 1b
  - If the  $V_{BUS}$  voltage is out of the valid voltage range during attachment, the “VBUS\_VALID” bit set to 0b.
  - If an undervoltage is detected on the VDD pin during attachment when UVLO detection is enabled, the “VDD\_UVLO\_DISABLE” bit set to 0b.
  - If an overvoltage is detected on the VDD pin during attachment when OVLO detection is enabled, the “VDD\_OVLO\_DISABLE” bit set to 0b.

The I<sup>2</sup>C register bits mentioned above in quotes give either the state of the hardware fault when it occurs or the setting condition to detect the hardware fault (see [Section 5.1: Register description](#)).

## 3.8 Accessory mode detection

The STUSB1600 supports the detection of audio accessory mode and debug accessory mode as defined in the USB Type-C standard specification with the following Type-C power modes (see [Section 6: Start-up configuration](#)):

- Source power role with accessory support
- Sink power role with accessory support
- Dual power role with accessory support
- Dual power role with accessory and Try.SRC support
- Dual power role with accessory and Try.SNK support.

### 3.8.1 Audio accessory mode detection

The STUSB1600 detects an audio accessory device when both the CC1 and CC2 pins are pulled down to ground by an  $R_a$  resistor from the connected device. The audio accessory detection is advertised through the CC\_ATTACHED\_MODE bits of the I<sup>2</sup>C register CC\_CONNECTION\_STATUS (see [Section 5.1: Register description](#)).

### 3.8.2 Debug accessory mode detection

The STUSB1600 detects a connection to a debug and test system (DTS) when it operates either in sink power role or in source power role. The debug accessory detection is advertised by the DEBUG1 and DEBUG2 pins as well as through the CC\_ATTACHED\_MODE bits of the I<sup>2</sup>C register CC\_CONNECTION\_STATUS (see [Section 5.1: Register description](#)).

- In sink power role, a debug accessory device is detected when both the CC1 and CC2 pins are pulled up by an Rp resistor from the connected device. The voltage levels on the CC1 and CC2 pins give the orientation and current capability as described in the table below. The DEBUG1 pin is asserted to advertise the DTS detection and the A\_B\_SIDE pin indicates the orientation of the connection. The current capability of the DTS is given through the SINK\_POWER\_STATE bits of the I<sup>2</sup>C register CC\_OPERATION\_STATUS (see [Section 5.1: Register description](#)).

**Table 10. Orientation and current capability detection in sink power role**

#	CC1 pin (CC2 pin)	CC2 pin (CC1 pin)	Charging current configuration	A_B_SIDE pin CC1/CC2 (CC2/CC1)	Current capability state SINK_POWER_STATE bit values
1	Rp 3A	Rp 1.5A	Default	HiZ (0)	PowerDefault.SNK (source supplies default USB current)
2	Rp 1.5A	Rp default	1.5 A	HiZ (0)	Power1.5.SNK (source supplies 1.5 A USB Type-C current)
3	Rp 3A	Rp default	3.0 A	HiZ (0)	Power3.0.SNK (source supplies 3.0 A USB Type-C current)
4	Rp def/1.5A/3A	Rp def/1.5A/3A	Default	HiZ (HiZ)	PowerDefault.SNK (source supplies default USB current)

- In source power role, a debug accessory device is detected when both the CC1 and CC2 pins are pulled down to ground by an Rd resistor from the connected device. The orientation detection is performed in two steps as described in the table below. The DEBUG2 pin is asserted to advertise the DTS detection and the A\_B\_SIDE pin indicates the orientation of the connection. The orientation detection is advertised through the TYPEC\_FSM\_STATE bits of the I<sup>2</sup>C register CC\_OPERATION\_STATUS (see [Section 5.1: Register description](#)).

Table 11. Orientation detection in source power role

#	CC1 pin (CC2 pin)	CC2 pin (CC1 pin)	Detection process	A_B_SIDE pin CC1/CC2 (CC2/CC1)	Orientation detection state TYPEC_FSM_STATE bits value
1	Rd	Rd	1 <sup>st</sup> step: debug accessory mode detected	HiZ (HiZ)	UnorientedDebugAccessory.SRC
2	Rd	≤ Ra	2 <sup>nd</sup> step: orientation detected (DTS presents a resistance to GND with a value ≤ Ra on its CC2 pin)	HiZ (0)	OrientedDebugAccessory.SRC

# 4 I<sup>2</sup>C interface

## 4.1 Read and write operations

The I<sup>2</sup>C interface is used to configure, control and read the operation status of the device. It is compatible with the Philips I<sup>2</sup>C Bus® (version 2.1). The I<sup>2</sup>C is a slave serial interface based on two signals:

- SCL - Serial clock line: input clock used to shift data
- SDA - Serial data line: input/output bidirectional data transfers

A filter rejects the potential spikes on the bus data line to preserve data integrity.

The bidirectional data line supports transfers up to 400 Kbit/s (fast mode). The data are shifted to and from the chip on the SDA line, MSB first.

The first bit must be high (START) followed by the 7-bit device address and the read/write control bit.

Two 7-bit device address are available for STUSB1600 thanks to external programming of DevADDR0 through ADDR0 pin setting, i.e. 0x28 or 0x29. It allows two STUSB1600 devices to be connected on the same I<sup>2</sup>C bus.

**Table 12. Device address format**

Bit7	Bit6	Bit5	Bit4	Bit3	Bit2	Bit1	Bit0
DevADDR6	DevADDR5	DevADDR4	DevADDR3	DevADDR2	DevADDR1	DevADDR0	R/W
0	1	0	1	0	0	ADDR0	0/1

**Table 13. Register address format**

Bit7	Bit6	Bit5	Bit4	Bit3	Bit2	Bit1	Bit0
RegADDR7	RegADDR6	RegADDR5	RegADDR4	RegADDR3	RegADDR2	RegADDR1	RegADDR0

**Table 14. Register data format**

Bit7	Bit6	Bit5	Bit4	Bit3	Bit2	Bit1	Bit0
DATA7	DATA6	DATA5	DATA4	DATA3	DATA2	DATA1	DATA0

**Figure 4. Read operation**

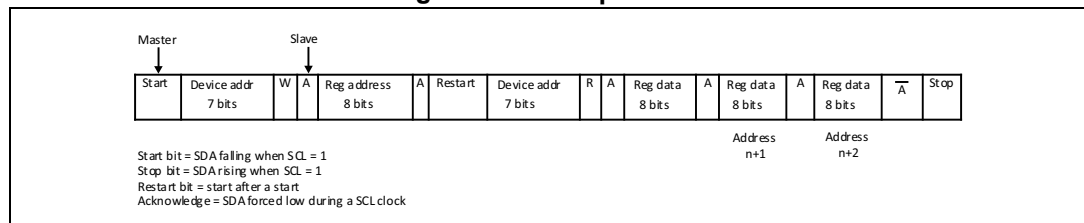
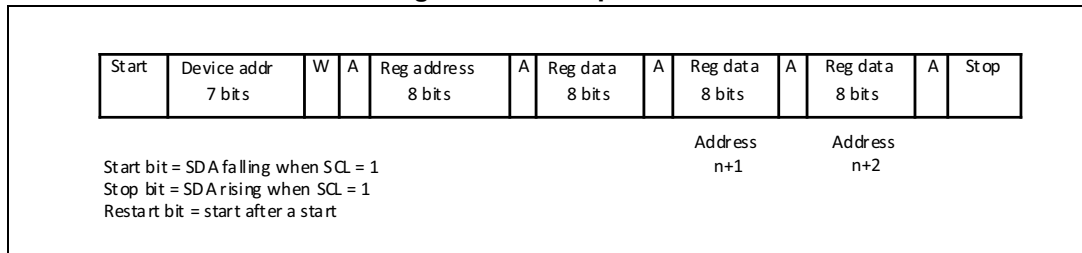




Figure 5. Write operation



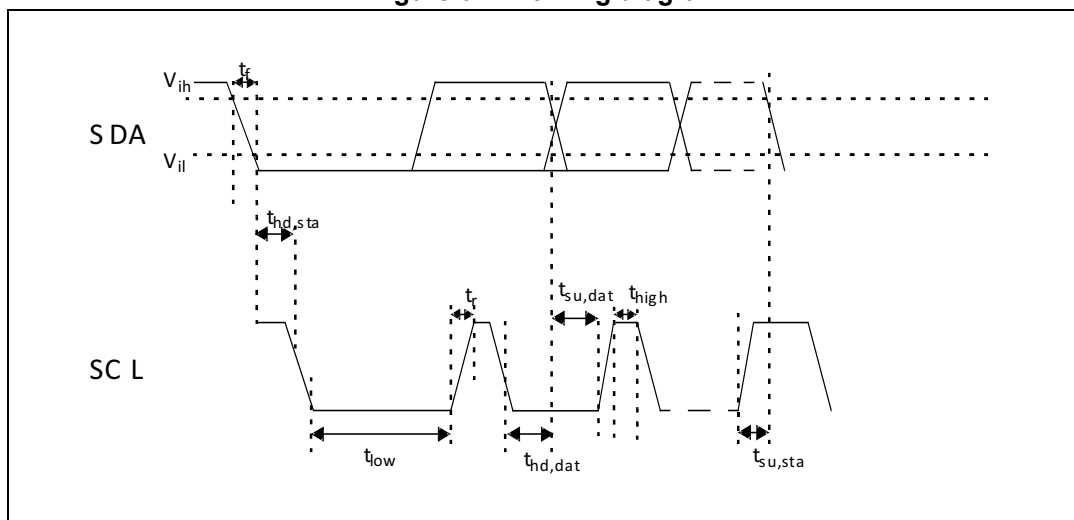
## 4.2 Timing specifications

The device uses a standard slave I<sup>2</sup>C channel at speed up to 400 kHz.

Table 15. I<sup>2</sup>C timing parameters - V<sub>DD</sub> = 5 V

Symbol	Parameter	Min.	Typ.	Max.	Unit
F <sub>scl</sub>	SCL clock frequency	0	—	400	kHz
t <sub>hd,sta</sub>	Hold time (repeated) START condition	0.6		—	μs
t <sub>low</sub>	LOW period of the SCL clock	1.3		—	
t <sub>high</sub>	HIGH period of the SCL clock	0.6		—	
t <sub>su,dat</sub>	Setup time for repeated START condition	0.6		—	
t <sub>hd,dat</sub>	Data hold time	0.04		0.9	
t <sub>su,dat</sub>	Data setup time	100		—	
t <sub>r</sub>	Rise time of both SDA and SCL signals	20 + 0.1 C <sub>b</sub>		300	ns
t <sub>f</sub>	Fall time of both SDA and SCL signals	20 + 0.1 C <sub>b</sub>		300	
t <sub>su,sto</sub>	Setup time for STOP condition	0.6		—	μs
t <sub>buf</sub>	Bus free time between a STOP and START condition	1.3		—	
C <sub>b</sub>	Capacitive load for each bus line	—		400	pF

Figure 6. I<sup>2</sup>C timing diagram



## 5 I<sup>2</sup>C register map

**Table 16. Register access legend**

Access code	Expanded name	Description
RO	Read only	Register can be read only
R/W	Read/write	Register can be read or written
RC	Read and clear	Register can be read and is cleared after it is read

**Table 17. STUSB1600 register map overview**

Address	Register name	Access	Description
00h to 0Ah	Reserved	RO	Do not use
0Bh	ALERT_STATUS	RC	Alerts register linked to transition registers
0Ch	ALERT_STATUS_MASK_CTRL	R/W	Allows the interrupt mask on the ALERT_STATUS register to be changed
0Dh	CC_CONNECTION_STATUS_TRANS	RC	Alerts about transition in CC_CONNECTION_STATUS register
0Eh	CC_CONNECTION_STATUS	RO	Gives status on CC connection
0Fh	MONITORING_STATUS_TRANS	RC	Alerts about transition in MONITORING_STATUS register
10h	MONITORING_STATUS	RO	Gives status on V <sub>BUS</sub> and V <sub>CONN</sub> voltage monitoring
11h	CC_OPERATION_STATUS	RO	Gives status on CC operation modes
12h	HW_FAULT_STATUS_TRANS	RC	Alerts about transition in HW_FAULT_STATUS register
13h	HW_FAULT_STATUS	RO	Gives status on hardware faults
14h to 17h	Reserved	RO	Do not use
18h	CC_CAPABILITY_CTRL	R/W	Allows the CC capabilities to be changed
19h to 1Dh	Reserved	RO	Do not use
1Eh	CC_VCONN_SWITCH_CTRL	R/W	Allows the current limit of V <sub>CONN</sub> power switches to be changed
1Fh	Reserved	RO	Do not use
20h	VCONN_MONITORING_CTRL	R/W	Allows the monitoring conditions of V <sub>CONN</sub> voltage to be changed
21h	Reserved	RO	Do not use
22h	VBUS_MONITORING_RANGE_CTRL	R/W	Allows the voltage range for V <sub>BUS</sub> monitoring to be changed
23h	RESET_CTRL	R/W	Controls the device reset by software

Table 17. STUSB1600 register map overview (continued)

Address	Register name	Access	Description
24h	Reserved	RO	Do not use
25h	VBUS_DISCHARGE_TIME_CTRL	R/W	Allows the V <sub>BUS</sub> discharge time to be changed
26h	VBUS_DISCHARGE_STATUS	R/W	Gives status on V <sub>BUS</sub> discharge path activation
27h	VBUS_ENABLE_STATUS	RO	Gives status on V <sub>BUS</sub> power path activation
28h	CC_POWER_MODE_CTRL	R/W	Allows the CC power mode to be changed
29h to 2Dh	Reserved	RO	Do not use
2Eh	VBUS_MONITORING_CTRL	R/W	Allows the monitoring conditions of V <sub>BUS</sub> voltage to be changed
2Fh	Reserved	RO	Do not use

## 5.1 Register description

The reset column specified in the register descriptions below defines the default value of the registers at power-up or after a reset. The reset values with (NVM) index correspond to the user-defined parameters that can be customized by NVM re-programming if needed (see [Section 6: Start-up configuration](#)).

### 5.1.1 ALERT\_STATUS

**Address:** 0Bh

**Access:** RC

*Note: this register indicates an alert has occurred*

Table 18. ALERT\_STATUS register

Bit	Field name	Reset	Description
7	Reserved	0b	Do not use
6	CC_CONNECTION_STATUS_AL	0b	0b: cleared 1b: change occurred on CC_CONNECTION_STATUS_TRANS register
5	MONITORING_STATUS_AL	0b	0b: cleared 1b: change occurred on MONITORING_STATUS_TRANS register
4	HW_FAULT_STATUS_AL	0b	0b: cleared 1b: change occurred on HW_FAULT_STATUS_TRANS register
3:0	Reserved	0000b	Do not use

When a bit value change occurs on one of the mentioned transition registers, it automatically sets the corresponding alert bit in the ALERT\_STATUS register.

### 5.1.2 ALERT\_STATUS\_MASK\_CTRL

**Address:** 0Ch

**Access:** R/W

*Note: this register is used to mask an event interrupt and prevent the assertion of the alert bit in the ALERT\_STATUS register when the corresponding bit defined below is set to 1.*

**Table 19. ALERT\_STATUS\_MASK\_CTRL register**

Bit	Field Name	Reset	Description
7	Reserved	1b	Do not use
6	CC_CONNECTION_STATUS_AL_MASK	1b (NVM)	0b: interrupt unmasked 1b: interrupt masked
5	MONITORING_STATUS_AL_MASK	1b (NVM)	0b: interrupt unmasked 1b: interrupt masked
4	HW_FAULT_STATUS_AL_MASK	1b (NVM)	0b: interrupt unmasked 1b: interrupt masked
3:0	Reserved	1111b	Do not use

The condition for generating an active-low ALERT signal is:

[ALERT\_STATUS bitwise AND (NOT ALERT\_STATUS\_MASK)] <> 0

### 5.1.3 CC\_CONNECTION\_STATUS\_TRANS

**Address:** 0Dh

**Access:** RC

*Note: This register indicates a bit value change has occurred in the CC\_CONNECTION\_STATUS register.*

**Table 20. CC\_CONNECTION\_STATUS\_TRANS register**

Bit	Field name	Reset	Description
7:1	Reserved	000000b	Do not use
0	CC_ATTACH_TRANS	0b	0b: cleared 1b: transition occurred on CC_ATTACH bit

### 5.1.4 CC\_CONNECTION\_STATUS

**Address:** 0Eh

**Access:** RO

*Note: this register gives the connection state of the CC pins and on associated operating modes of the device.*

**Table 21. CC\_CONNECTION\_STATUS register**

Bit	Field Name	Reset	Description
7:5	CC_ATTACHED_MODE	000b	000b: no device attached 001b: sink attached 010b: source attached 011b: debug accessory attached 100b: audio accessory attached 101b: do not use 110b: do not use 111b: do not use
4	DEVICE_POWER_MODE	0b (NVM)	0b: operating in normal power mode 1b: operating in standby power mode
3	CC_POWER_ROLE	0b	0b: operating as a sink 1b: operating as a source
2	Reserved	0b	Do not use
1	CC_VCONN_SUPPLY	0b	0b: V <sub>CONN</sub> is not supplied on CC pin 1b: V <sub>CONN</sub> is supplied on CC pin
0	CC_ATTACH	0b	0b: not attached 1b: attached

The DEVICE\_POWER\_MODE bit indicates the power consumption mode of the device at start-up and during operation:

- In normal mode, all the internal circuits are turned on
- In standby mode, the CC interface and the voltage monitoring blocks remain off until a connection is detected.

The standby mode power is disabled by default and can be activated through NVM programming (see [Section 6: Start-up configuration](#)).

The CC\_POWER\_ROLE bit is relevant only when a connection is established and the device is attached.

### 5.1.5 MONITORING\_STATUS\_TRANS

**Address:** 0Fh

**Access:** RC

*Note: this register indicates a bit value change has occurred in the MONITORING\_STATUS register.*

**Table 22. MONITORING\_STATUS\_TRANS register**

Bit	Field name	Reset	Description
7:4	Reserved	0000b	Do not use
3	VBUS_VALID_TRANS	0b	0b: cleared 1b: transition occurred on VBUS_VALID bit
2	VBUS_VSAFE0V_TRANS	0b	0b: cleared 1b: transition occurred on VBUS_VSAFE0V bit
1	VBUS_PRESENCE_TRANS	0b	0b: cleared 1b: transition occurred on VBUS_PRESENCE bit
0	VCONN_PRESENCE_TRANS	0b	0b: cleared 1b: transition occurred on VCONN_PRESENCE bit

### 5.1.6 MONITORING\_STATUS

**Address:** 10h

**Access:** RO

*Note: this register gives the current status of the V<sub>BUS</sub> and V<sub>CONN</sub> voltage monitoring done respectively on the VBUS\_SENSE and VCONN pins.*

**Table 23. MONITORING\_STATUS register**

Bit	Field name	Reset	Description
7:4	Reserved	0000b	Do not use
3	VBUS_VALID	0b	0b: V <sub>BUS</sub> is outside valid voltage range 1b: V <sub>BUS</sub> is within valid voltage range
2	VBUS_VSAFE0V	1b	0b: V <sub>BUS</sub> is above vSafe0V threshold 1b: V <sub>BUS</sub> is below vSafe0V threshold
1	VBUS_PRESENCE	0b	0b: V <sub>BUS</sub> is below UVLO threshold 1b: V <sub>BUS</sub> is above UVLO threshold
0	VCONN_PRESENCE	0b or 1b	0b: V <sub>CONN</sub> is below UVLO threshold 1b: V <sub>CONN</sub> is above UVLO threshold

The default value of the V<sub>BUS</sub> valid voltage range can be changed in the VBUS\_MONITORING\_RANGE\_CTRL register during operation.

The V<sub>BUS</sub> vSafe0V threshold is defined in the VBUS\_MONITORING\_CTRL register. It is used in source power role as a Type-C FSM condition to establish a valid device attachment.

The V<sub>BUS</sub> UVLO threshold is fixed to 3.9 V.

The V<sub>CONN</sub> UVLO threshold is defined in the VCONN\_MONITORING\_CTRL register.

The reset value of the VCONN\_PRESENCE bit is:

- 0b when V<sub>CONN</sub> is not supplied on the VCONN pin, or when V<sub>CONN</sub> is supplied and the voltage level is below the UVLO threshold, or when the V<sub>CONN</sub> threshold detection circuit is disabled.
- 1b when V<sub>CONN</sub> is supplied on the VCONN pin and the voltage level is above UVLO threshold.

### 5.1.7 CC\_OPERATION\_STATUS

**Address:** 11h

**Access:** RO

*Note: this register gives the current status of the device operating modes with respect to the Type-C FSM states as defined in the USB Type-C standard specification. This status is informative only and is not used to trigger any alert.*

**Table 24. CC\_OPERATION\_STATUS register**

Bit	Field name	Reset	Description
7	CC_PIN_ATTACHED	0b	0b: CC1 is attached 1b: CC2 is attached
6:5	SINK_POWER_STATE	00b	00b: PowerDefault.SNK (source supplies default USB current) 01b: Power1.5.SNK (source supplies 1.5 A USB Type-C current) 10b: Power3.0.SNK (source supplies 3.0 A USB Type-C current) 11b: do not use



Table 24. CC\_OPERATION\_STATUS register (continued)

Bit	Field name	Reset	Description
4:0	TYPE_C_FSM_STATE	00h or 08h	00h: Unattached.SNK 01h: AttachWait.SNK 02h: Attached.SNK 03h: DebugAccessory.SNK 04h: reserved 05h: reserved 06h: reserved 07h: TryWait.SNK 08h: Unattached.SRC 09h: AttachWait.SRC 0Ah: Attached.SRC 0Bh: reserved 0Ch: Try.SRC 0Dh: Unattached.Accessory 0Eh: AttachWait.Accessory 0Fh: AudioAccessory 10h: UnorientedDebugAccessory.SRC 11h: reserved 12h: reserved 13h: ErrorRecovery 14h: TryDebounce.SNK (Intermediate state towards Try.SNK state) 15h: Try.SNK 16h: reserved 17h: TryWait.SRC 18h: UnattachedWait.SRC (V <sub>CONN</sub> intermediate discharge state) 19h: OrientedDebugAccessory.SRC 1Ah: reserved 1Bh: reserved 1Ch: reserved 1Dh: reserved 1Eh: reserved 1Fh: reserved

The reset value of TYPE\_C\_FSM\_STATE bits is:

- 00h when the device is operating in sink power role (Unattached.SNK)
- 08h when device is operating in source power role (Unattached.SRC)

The CC\_PIN\_ATTACHED bit indicates which CC pin is connected to the CC line. Its value is consistent with the logic level of the A\_B\_SIDE output pin providing cable orientation.

The SINK\_POWER\_STATE bits indicate the current level advertised by the source that the sink can consume when the device is operating in sink power role.

The TYPE\_C\_FSM\_STATE bits indicate the current state of the Type-C FSM corresponding to the power mode defined in the CC\_POWER\_MODE\_CTRL register.

### 5.1.8 HW\_FAULT\_STATUS\_TRANS

**Address:** 12h

**Access:** RC

*Note: this register indicates a bit value change has occurred in the HW\_FAULT\_STATUS register. It also alerts when an overtemperature condition is met.*

**Table 25. HW\_FAULT\_STATUS\_TRANS register**

Bit	Field name	Reset	Description
7	THERMAL_FAULT	0b	0b: cleared 1b: junction temperature is above temperature threshold of 145 °C
6	Reserved	0b	Do not use
5	VPU_OVP_FAULT_TRANS	0b	0b: cleared 1b: transition occurred on VPU_OVP_FAULT bit
4	VPU_VALID_TRANS	0b	0b: cleared 1b: transition occurred on VPU_VALID bit
3	Reserved	0b	Do not use
2	VCONN_SW_RVP_FAULT_TRANS	0b	0b: cleared 1b: transition occurred on VCONN_SW_RVP_FAULT bits
1	VCONN_SW_OCP_FAULT_TRANS	0b	0b: cleared 1b: Transition occurred on VCONN_SW_OCP_FAULT bits
0	VCONN_SW_OVP_FAULT_TRANS	0b	0b: cleared 1b: Transition occurred on VCONN_SW_OVP_FAULT bits

### 5.1.9 HW\_FAULT\_STATUS

**Address:** 13h

**Access:** RO

*Note: this register provides information on hardware fault conditions related to the internal pull-up voltage in source power role and to the  $V_{CONN}$  power switches.*

**Table 26. HW\_FAULT\_STATUS register**

Bit	Field Name	Reset	Description
7	VPU_OVP_FAULT	0b	0b: voltage on CC pins is below OVP threshold of 6.0 V 1b: voltage on CC pins is above OVP threshold of 6.0 V
6	VPU_VALID	1b	0b: pull-up voltage on CC pins is below UVLO threshold of 2.8 V 1b: pull-up voltage on CC pins is above UVLO threshold of 2.8 V (safe condition)
5	VCONN_SW_RVP_FAULT_CC1	0b	0b: no reverse voltage on $V_{CONN}$ power switch connected to CC1 1b: reverse voltage detected on $V_{CONN}$ power switch connected to CC1
4	VCONN_SW_RVP_FAULT_CC2	0b	0b: no reverse voltage on $V_{CONN}$ power switch connected to CC2 1b: reverse voltage detected on $V_{CONN}$ power switch connected to CC2
3	VCONN_SW_OCP_FAULT_CC1	0b	0b: no short circuit or overcurrent on $V_{CONN}$ power switch connected to CC1 1b: short circuit or overcurrent detected on $V_{CONN}$ power switch connected to CC1
2	VCONN_SW_OCP_FAULT_CC2	0b	0b: no short circuit or overcurrent on $V_{CONN}$ power switch connected to CC2 1b: short circuit or overcurrent detected on $V_{CONN}$ power switch connected to CC2
1	VCONN_SW_OVP_FAULT_CC1	0b	0b: no overvoltage on $V_{CONN}$ power switch connected to CC1 1b: overvoltage detected on $V_{CONN}$ power switch connected to CC1
0	VCONN_SW_OVP_FAULT_CC2	0b	0b: no overvoltage on $V_{CONN}$ power switch connected to CC2 1b: overvoltage detected on $V_{CONN}$ power switch connected to CC2

The VPU\_VALID and VPU\_OVP\_FAULT bits are related to the internal pull-up voltage applied on the CC pins when the device is operating in source power role. They give information on an internal supply issue that could prevent the device to detect a valid connection to a distant device.

### 5.1.10 CC\_CAPABILITY\_CTRL

**Address:** 18h

**Access:** R/W

*Note: when operating in source power role, this register allows the advertising of the current capability to be changed as defined in the USB Type-C standard specification and the  $V_{CONN}$  supply capability.*

**Table 27. CC\_CAPABILITY\_CTRL register**

Bit	Field name	Reset	Description
7:6	CC_CURRENT_ADVERTISED	00b (NVM)	00b: default USB current (500 mA or 900 mA) 01b: 1.5 A USB Type-C current 10b: 3.0 A USB Type-C current 11b: do not use
5	Reserved	1b	Do not use
4	CC_VCONN_DISCHARGE_EN	0b (NVM)	0b: $V_{CONN}$ discharge disabled on CC pin 1b: $V_{CONN}$ discharge enabled for 250 ms on CC pin
3:1	Reserved	000b	Do not use
0	CC_VCONN_SUPPLY_EN	1b (NVM)	0b: $V_{CONN}$ supply capability disabled on CC pin 1b: $V_{CONN}$ supply capability enabled on CC pin

### 5.1.11 CC\_VCONN\_SWITCH\_CTRL

**Address:** 1Eh

**Access:** R/W

*Note: this register allows the default current limit of the power switches supplying  $V_{CONN}$  on the CC pins to be changed.*

**Table 28. CC\_VCONN\_SWITCH\_CTRL register**

Bit	Field name	Reset	Description
7:4	Reserved	0000b	Do not use
3:0	CC_VCONN_SWITCH_ILIM	0000b (NVM)	0000b: 350 mA (default) 0001b: 300 mA 0010b: 250 mA 0011b: 200 mA 0100b: 150 mA 0101b: 100 mA 0110b: 400 mA 0111b: 450 mA 1000b: 500 mA 1001b: 550 mA 1010b: 600 mA

### 5.1.12 VCONN\_MONITORING\_CTRL

**Address:** 20h

**Access:** R/W

*Note: this register allows the default voltage monitoring conditions for  $V_{CONN}$  to be modified.*

**Table 29. VCONN\_MONITORING\_CTRL register**

Bit	Field name	Reset	Description
7	VCONN_MONITORING_EN	1b	0b: disables UVLO threshold detection on VCONN pin 1b: enables UVLO threshold detection on VCONN pin
6	VCONN_UVLO_THRESHOLD	0b	0b: high UVLO threshold of 4.65 V 1b: low UVLO threshold of 2.65 V (case where $V_{CONN}$ -powered accessories are operating down to 2.7 V)
5	Reserved	1b	Do not use
4	Reserved	0b	Do not use
3:0	Reserved	0000b	Do not use

Disabling the UVLO threshold detection on the VCONN pin deactivates the  $V_{CONN}$  power path and sets the VCONN\_PRESENCE bit to 0b in the MONITORING\_STATUS register.

### 5.1.13 VBUS\_MONITORING\_RANGE\_CTRL

**Address:** 22h

**Access:** R/W

*Note: this register allows the low and high limits of the  $V_{BUS}$  monitoring voltage range to be changed during attachment.*

**Table 30. VBUS\_MONITORING\_RANGE\_CTRL register**

Bit	Field name	Reset	Description
7:4	SHIFT_HIGH_VBUS_LIMIT	0000b (NVM)	Coefficient to shift nominal high voltage limit from 1 % (0001b) to 15 % (1111b) of $V_{BUS}$ voltage by step of 1 %
3:0	SHIFT_LOW_VBUS_LIMIT	0000b (NVM)	Coefficient to shift nominal low voltage limit from -1 % (0001b) to -15 % (1111b) of $V_{BUS}$ voltage by step of -1 %

The VBUS voltage is fixed at 5.0 V. The nominal values of the high and low limits of the VBUS monitoring voltage range are respectively  $V_{BUS}+5\%$  and  $V_{BUS}-5\%$ . Each coefficient represents the fraction of VBUS voltage that is added to the nominal value of each limit to determine the new threshold value.

When the STUSB1600 is in unattached state, the register takes the reset values. When a device is attached, the register takes the values set in the NVM (see [Section 6: Start-up configuration](#)) or the new ones set by software during attachment.

The register is valid for both power roles. Depending on whether the device operates in source power role or sink power role, the register takes the values set in the NVM related to the running power role.

### 5.1.14 RESET\_CTRL

**Address:** 23h

**Access:** R/W

*Note: this register allows the device to be reset by software.*

**Table 31. RESET\_CTRL register**

Bit	Field name	Reset	Description
7:1	Reserved	000000b	Do not use
0	SW_RESET_EN	0b	0b: device reset is performed from hardware RESET pin 1b: forces the device reset as long as this bit value is set

The SW\_RESET\_EN bit acts as the hardware RESET pin except that the I<sup>2</sup>C control registers are not reset to their default values. They keep the last changed value. The SW\_RESET\_EN bit does not command the RESET pin.

### 5.1.15 VBUS\_DISCHARGE\_TIME\_CTRL

**Address:** 25h

**Access:** R/W

*Note: this register contains the parameter used to define the  $V_{BUS}$  discharge time when the internal  $V_{BUS}$  discharge path is activated on the  $VBUS\_SENSE$  pin.*

**Table 32. VBUS\_DISCHARGE\_TIME\_CTRL register**

Bit	Field name	Reset	Description
7:4	VBUS_DISCHARGE_TIME_TO_0V	1010b (NVM)	Binary coded $T_{DISPARAM}$ coefficient used to compute the $V_{BUS}$ discharge time to 0 V: 84 ms (typical) * $T_{DISPARAM}$ 840 ms is the default discharge time
3:0	Reserved	1111b	Do not use

### 5.1.16 VBUS\_DISCHARGE\_STATUS

**Address:** 26h

**Access:** RO

*Note: this register gives information, during operation, on the activation state of the internal  $V_{BUS}$  discharge path on the  $VBUS\_SENSE$  pin.*

**Table 33. VBUS\_DISCHARGE\_STATUS register**

Bit	Field name	Reset	Description
7	VBUS_DISCHARGE_EN	0b	0b: $V_{BUS}$ discharge path is deactivated 1b: $V_{BUS}$ discharge path is activated
6:1	Reserved	0000000b	Do not use

### 5.1.17 VBUS\_ENABLE\_STATUS

**Address:** 27h

**Access:** RO

*Note: this register gives information, during operation, on the activation state of the  $V_{BUS}$  power path through  $VBUS\_EN\_SRC$  pin in source power role and  $VBUS\_EN\_SNK$  pin in sink power role.*

**Table 34. VBUS\_ENABLE\_STATUS register**

Bit	Field name	Reset	Description
7:2	Reserved	0b	Do not use
1	VBUS_SINK_EN	0b	0b: $V_{BUS}$ sink power path is disabled 1b: $V_{BUS}$ sink power path is enabled
0	VBUS_SOURCE_EN	0b	0b: $V_{BUS}$ source power path is disabled 1b: $V_{BUS}$ source power path is enabled

### 5.1.18 CC\_POWER\_MODE\_CTRL

**Address:** 28h

**Access:** R/W

*Note: this register allows the default Type-C power mode to be changed if needed during an operation. It requires that the hardware implementation of the targeted application is consistent with the functioning of the new Type-C power mode selected.*

**Table 35. CC\_POWER\_MODE\_CTRL register**

Bit	Field name	Reset	Description
7:3	Reserved	0000b	Do not use
2:0	CC_POWER_MODE	011 (NVM)	000b: source power role with accessory support 001b: sink power role with accessory support 010b: sink power role without accessory support 011b: dual power role with accessory support 100b: dual power role with accessory and Try.SRC support 101b: dual power role with accessory and Try.SNK support 110b: do not use 111b: do not use



### 5.1.19 VBUS\_MONITORING\_CTRL

**Address:** 2Eh

**Access:** R/W

*Note: this register allows the default monitoring conditions of the  $V_{BUS}$  voltage over the power path from the VDD and VBUS\_SENSE pins to be modified.*

**Table 36. VBUS\_MONITORING\_CTRL register**

Bit	Field name	Reset	Description
7	Reserved	0b	Do not use
6	VDD_OVLO_DISABLE	0b (NVM)	0b: enables OVLO threshold detection on VDD pin 1b: disables OVLO threshold detection on VDD pin
5	Reserved	0b	Do not use
4	VBUS_VALID_RANGE_DISABLE	0b (NVM)	0b: enables valid $V_{BUS}$ voltage range detection 1b: disables valid $V_{BUS}$ voltage range detection (UVLO threshold detection used instead)
3	Reserved	0b	Do not use
2:1	VBUS_VSAFE0V_THRESHOLD	00b (NVM)	00b: $V_{BUS}$ vSafe0V threshold = 0.6 V 01b: $V_{BUS}$ vSafe0V threshold = 0.9 V 10b: $V_{BUS}$ vSafe0V threshold = 1.2 V 11b: $V_{BUS}$ vSafe0V threshold = 1.8 V
0	VDD_UVLO_DISABLE	1b (NVM)	0b: enables UVLO threshold detection on VDD pin 1b: disables UVLO threshold detection on VDD pin

The VBUS\_VALID\_RANGE\_DISABLE and VBUS\_VSAFE0V\_THRESHOLD bits are defining monitoring conditions applicable to the VBUS\_SENSE pin connected to the USB Type-C receptacle side.

The VBUS\_VALID\_RANGE\_DISABLE bit allows the valid  $V_{BUS}$  voltage range condition to be substituted by the  $V_{BUS}$  UVLO threshold condition to establish a valid device attachment and to assert the  $V_{BUS}$  power path.

The VBUS\_VSAFE0V\_THRESHOLD bit indicates the voltage value of the  $V_{BUS}$  vSafe0V threshold used in source power role as a Type-C FSM condition to establish a valid device attachment.

The VDD\_UVLO\_DISABLE and VDD\_OVLO\_DISABLE bits are defining monitoring conditions applicable to the VDD supply pin when it is connected to the main power supply in source power role only.

- When UVLO detection is enabled, the VBUS\_EN\_SRC pin is asserted only if the voltage on the VDD pin is above a UVLO threshold of 3.9 V.
- When OVLO detection is enabled, the VBUS\_EN\_SRC pin is asserted only if the voltage on the VDD pin is below a OVLO threshold of 6.0 V.

## 6 Start-up configuration

### 6.1 User-defined parameters

The STUSB1600 has a set of user-defined parameters that can be customized by NVM re-programming and/or by software through the I<sup>2</sup>C interface. This feature allows the customer to change the preset configuration of the USB Type-C interface and to define a new configuration to meet specific customer requirements addressing various applications, use cases, or specific implementations.

The NVM re-programming overrides the initial default setting to define a new default setting that is used at power-up or after a reset. The default value is copied at power-up, or after a reset, from the embedded NVM into dedicated I<sup>2</sup>C register bits (see [Section 5.1: Register description](#)). The NVM re-programming is possible with a customer password.

When a default value is changed during functioning by software, the new setting remains in effect as long as the STUSB1600 is operating or when it is changed again. But after power-off and power-up, or after a reset, the STUSB1600 takes back the default values defined in the NVM.

Please refer to the NVM access and programming application note in order to read and change the default values of the parameters customizable by the NVM if needed.

### 6.2 Default start-up configuration

The table below lists the user-defined parameters and indicates the default start-up configuration of the STUSB1600.

Three types of user-defined parameters are specified in the table with respect to the “Customization type” column:

- SW: indicates parameters that can be customized only by software through the I<sup>2</sup>C interface during system operation.
- NVM: indicates parameters that can be customized only by NVM re-programming
- NVM/SW: indicates parameters that can be customized by NVM re-programming and/or by software through the I<sup>2</sup>C interface during system operation.

**Table 37. STUSB1600 user-defined parameters and default setting**

Customization type	Parameter	Default value and description	I <sup>2</sup> C register address
NVM/SW	CC_CONNECTION_STATUS_AL_MASK	1b: interrupt masked	0Ch
NVM/SW	MONITORING_STATUS_AL_MASK	1b: interrupt masked	0Ch
NVM/SW	HW_FAULT_STATUS_AL_MASK	1b: interrupt masked	0Ch
NVM	STANDBY_POWER_MODE_DISABLE	1b: disables standby power mode	n. a.
NVM/SW	CC_CURRENT_ADVERTISED	00b: default USB current, 500 mA or 900 mA	18h
NVM/SW	CC_VCONN_DISCHARGE_EN	0b: V <sub>CONN</sub> discharge disabled on CC pin	18h

Table 37. STUSB1600 user-defined parameters and default setting (continued)

Customization type	Parameter	Default value and description	I <sup>2</sup> C register address
NVM/SW	CC_VCONN_SUPPLY_EN	1b: V <sub>CONN</sub> supply capability enabled on CC pin	18h
NVM/SW	CC_VCONN_SWITCH_ILIM	0000b: 350 mA	1Eh
SW	VCONN_MONITORING_EN	1b: enables UVLO threshold detection on VCONN pin	20h
SW	VCONN_UVLO_THRESHOLD	0b: high UVLO threshold of 4.65 V	20h
NVM/SW	SHIFT_HIGH_VBUS_LIMIT_SOURCE	0111b: in source power role, shifts nominal high voltage limit by 7 % of V <sub>BUS</sub>	22h
NVM/SW	SHIFT_LOW_VBUS_LIMIT_SOURCE	0101b: in source power role, shifts nominal low voltage limit by -5 % of V <sub>BUS</sub>	22h
NVM/SW	SHIFT_HIGH_VBUS_LIMIT_SINK	0111b: in sink power role, shifts nominal high voltage limit by 7 % of V <sub>BUS</sub>	22h
NVM/SW	SHIFT_LOW_VBUS_LIMIT_SINK	1111b: in sink power role, shifts nominal low voltage limit by -15 % of V <sub>BUS</sub>	22h
SW	SW_RESET_EN	0b: device reset is performed from hardware RESET pin	23h
NVM/SW	VBUS_DISCHARGE_TIME_TO_0V	1010b: 840 ms discharge time	25h
NVM	VBUS_DISCHARGE_DISABLE	0b: enables V <sub>BUS</sub> discharge path	n. a.
NVM/SW	CC_POWER_MODE	011b: dual power role with accessory support	28h
NVM/SW	VDD_OVLO_DISABLE	0b: enables OVLO threshold detection on VDD pin	2Eh
NVM/SW	VBUS_VALID_RANGE_DISABLE	0b: enables valid V <sub>BUS</sub> voltage range detection	2Eh
NVM/SW	VBUS_VSAFE0V_THRESHOLD	00b: V <sub>BUS</sub> vSafe0V threshold = 0.6 V	2Eh
NVM/SW	VDD_UVLO_DISABLE	1b: disables UVLO threshold detection on VDD pin	2Eh

## 7 Application

The sections below are not part of the ST product specification. They are intended to give a generic application overview to be used by the customer as a starting point for further implementation and customization. ST does not warrant compliancy with customer specifications. Full system implementation and validation are under the customer's responsibility.

### 7.1 General information

#### 7.1.1 Power supplies

The STUSB1600 can be supplied in three different ways depending on the targeted application:

- Through the VDD pin only for applications powered by  $V_{BUS}$  that operate either in source power role or in sink power role with dead battery mode support.
- Through the VSYS pin only for AC powered applications with a system power supply delivering 3.3 V or 5 V.
- Through the VDD and VSYS pins either for applications powered by a battery with dead battery mode support or for applications powered by  $V_{BUS}$  with a system power supply delivering 3.3 V or 5 V. When both VDD and VSYS power supplies are present, the low power supply VSYS is selected when VSYS voltage is above 3.1 V. Otherwise VDD is selected.

#### 7.1.2 Connection to MCU or application processor

The connection to an MCU or an application processor is optional.

When a connection through the I<sup>2</sup>C interface is implemented, it provides extensive functionality during system operation. For instance, it may be used to:

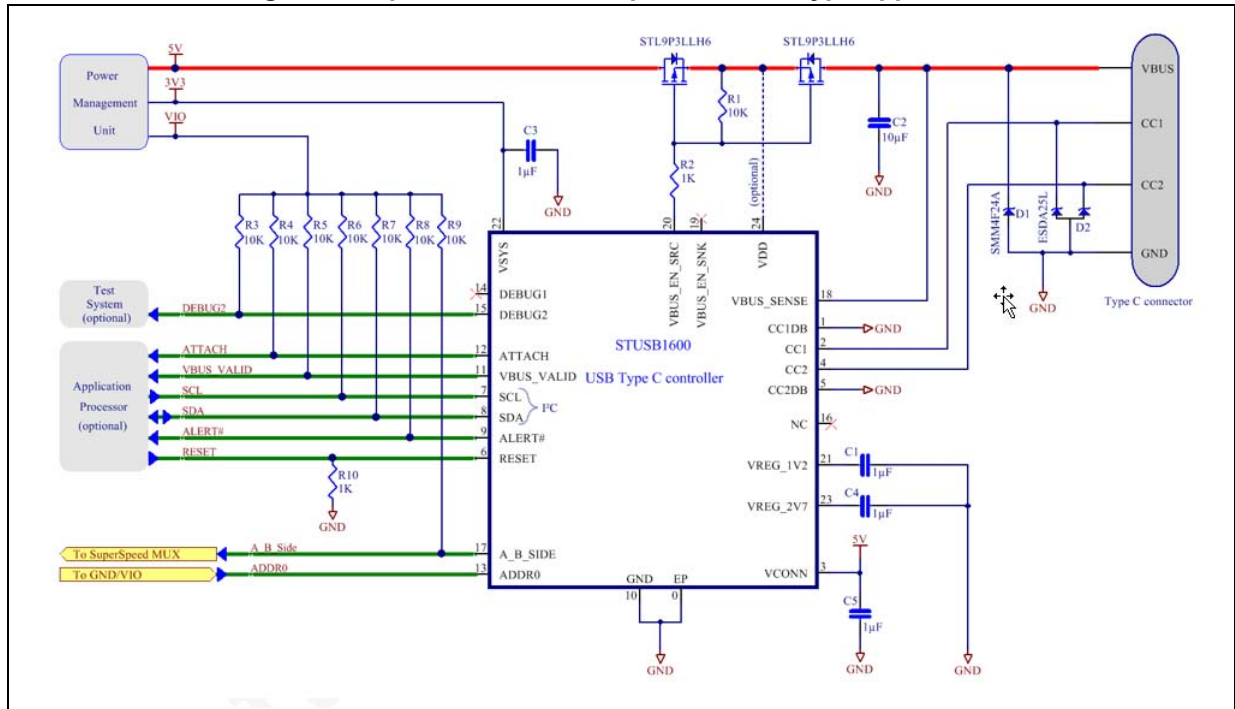
1. Define the port configuration during system boot (in case the NVM parameters are not customized during manufacturing).
2. Change the default configuration at any time during operation
3. Re-configure the port power mode (i.e. source, sink or dual role)
4. Adjust the port power capability in source power role according to contextual power availability and/or the power partitioning with other ports.
5. Save system power by shutting down the DC-DC converter according to the attachment detection state.
6. Provide a diagnostic of the Type-C connection and the VBUS power path in real time

## 7.2 USB Type-C typical applications

### 7.2.1 Source type application

#### Application schematic

Figure 7. Implementation example in source type application



## Default start-up configuration

Table 38. Default setting for a source type application

Customization type	Parameter	Default value and description	I <sup>2</sup> C register address
NVM/SW	CC_CONNECTION_STATUS_AL_MASK	1b: interrupt masked	0Ch
NVM/SW	MONITORING_STATUS_AL_MASK	1b: interrupt masked	0Ch
NVM/SW	HW_FAULT_STATUS_AL_MASK	1b: interrupt masked	0Ch
NVM	STANDBY_POWER_MODE_DISABLE	1b: disables standby power mode	n. a.
NVM/SW	CC_CURRENT_ADVERTISED	00b: default USB Current, 500 mA or 900 mA	18h
NVM/SW	CC_VCONN_DISCHARGE_EN	0b: VCONN discharge disabled on CC pin	18h
NVM/SW	CC_VCONN_SUPPLY_EN	1b: VCONN supply capability enabled on CC pin	18h
NVM/SW	CC_VCONN_SWITCH_ILIM	0000b: 350 mA	1Eh
SW	VCONN_MONITORING_EN	1b: enables UVLO threshold detection on VCONN pin	20h
SW	VCONN_UVLO_THRESHOLD	0b: high UVLO threshold of 4.65 V	20h
NVM/SW	SHIFT_HIGH_VBUS_LIMIT_SOURCE	0111b: in source power role, shifts nominal high voltage limit by 7 % of V <sub>BUS</sub>	22h
NVM/SW	SHIFT_LOW_VBUS_LIMIT_SOURCE	0101b: in source power role, shifts nominal low voltage limit by -5 % of V <sub>BUS</sub>	22h
SW	SW_RESET_EN	0b: device reset is performed from hardware RESET pin	23h
NVM/SW	VBUS_DISCHARGE_TIME_TO_0V	1010b: 840 ms discharge time	25h
NVM	VBUS_DISCHARGE_DISABLE	0b: enables V <sub>BUS</sub> discharge path	n. a.
NVM/SW	CC_POWER_MODE	000b: source power role with accessory support <sup>(1)</sup>	28h
NVM/SW	VDD_OVLO_DISABLE	0b: enables OVLO threshold detection on VDD pin	2Eh
NVM/SW	VBUS_VALID_RANGE_DISABLE	0b: enables valid V <sub>BUS</sub> voltage range detection	2Eh
NVM/SW	VBUS_VSAFE0V_THRESHOLD	00b: V <sub>BUS</sub> vSafe0V threshold = 0.6 V	2Eh
NVM/SW	VDD_UVLO_DISABLE	1b: disables UVLO threshold detection on VDD pin	2Eh

1. Indicates parameter customized by NVM re-programming

**V<sub>BUS</sub> power path assertion**

**Table 39. Conditions for V<sub>BUS</sub> power path assertion in source power role**

Pin	Electrical value	Operation conditions			Comment
		Type-C attached state	VDD pin monitoring	VBUS_SENSE pin monitoring	
VBUS_EN_SRC	0	Attached.SRC or UnorientedDebug Accessory.SRC or OrientedDebug Accessory.SRC	VDD < OVLO if VDD pin is supplied	V <sub>BUS</sub> within valid voltage range	The signal is asserted only if all the valid operation conditions are met
	HiZ	Any other state	VDD > OVLO if VDD pin is supplied	V <sub>BUS</sub> is out of valid voltage range	The signal is de-asserted when at least one non valid operation condition is met.

Device state according to connection state

Table 40. Source power role with accessory support

Connection state	CC1 pin	CC2 pin	Type-C device state CC_OPERATION_STATUS register @11h	A_B_SIDE pin	VCONN supply	VBUS_EN_SRC pin	CC_CONNECTION_STATUS register @0Eh
Nothing attached	Open	Open	Unattached.SRC	HiZ	OFF	HiZ	00h
Sink attached	Rd	Open	Attached.SRC	HiZ	OFF	0	2Dh
	Open	Rd		0	OFF	0	2Dh
Powered cable without sink attached	Open	Ra	Unattached.SRC	HiZ	OFF	HiZ	00h
	Ra	Open		HiZ	OFF	HiZ	00h
Powered cable with sink attached or VCONN-powered accessory attached	Rd	Ra	Attached.SRC	HiZ	CC2	0	2Fh
	Ra	Rd		0	CC1	0	2Fh
Debug accessory mode attached source role	Rp	Rp	Unattached.SRC	HiZ	OFF	HiZ	00h
Debug accessory mode attached sink role	Rd	Rd	UnorientedDebug Accessory.SRC	HiZ	OFF	0	6Dh
Debug accessory mode attached sink role	Rd	≤ Ra	OrientedDebug Accessory.SRC	HiZ	OFF	0	6Dh
	≤ Ra	Rd		0	OFF	0	6Dh
Audio adapter accessory mode attached	Ra	Ra	Audio accessory	HiZ	OFF	HiZ	81h

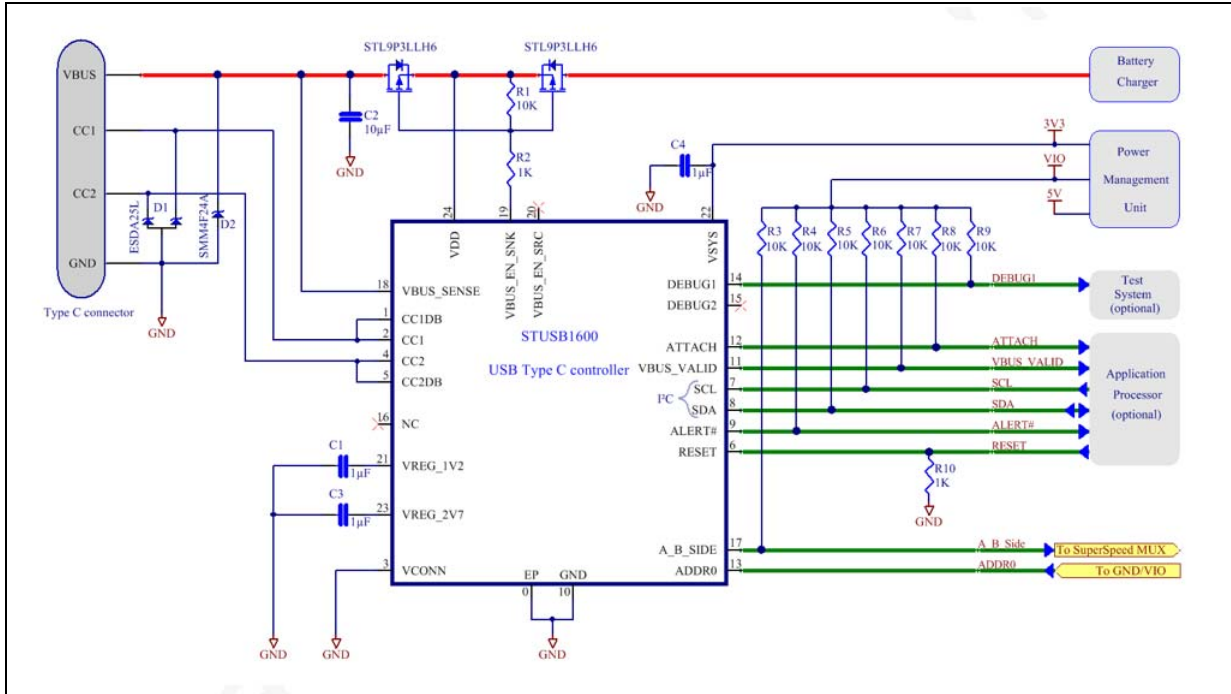
The value of the CC1 and CC2 pins is defined from a termination perspective and corresponds to the termination presented by the connected device. The CC\_CONNECTION\_STATUS register can report other values than the one presented in [Table 40](#). In this table, it reflects the state transitions in Type-C FSM that can be ignored from the application stand point.



### 7.2.2 Sink type application

#### Application schematic

Figure 8. Implementation example in sink type application



Note: Schematic configuration is in dead battery mode

## Default start-up configuration

Table 41. Default setting for a sink type application

Customization type	Parameter	Default value and description	I <sup>2</sup> C register address
NVM/SW	CC_CONNECTION_STATUS_AL_MASK	1b: interrupt masked	0Ch
NVM/SW	MONITORING_STATUS_AL_MASK	1b: interrupt masked	0Ch
NVM/SW	HW_FAULT_STATUS_AL_MASK	1b: interrupt masked	0Ch
NVM	STANDBY_POWER_MODE_DISABLE	1b: disables standby power mode	n. a.
NVM/SW	CC_CURRENT_ADVERTISED	00b: default USB Current, 500 mA or 900 mA	18h
NVM/SW	CC_VCONN_DISCHARGE_EN	0b: VCONN discharge disabled on CC pin	18h
NVM/SW	CC_VCONN_SUPPLY_EN	1b: VCONN supply capability enabled on CC pin	18h
NVM/SW	CC_VCONN_SWITCH_ILIM	0000b: 350 mA	1Eh
SW	VCONN_MONITORING_EN	1b: enables UVLO threshold detection on VCONN pin	20h
SW	VCONN_UVLO_THRESHOLD	0b: high UVLO threshold of 4.65 V	20h
NVM/SW	SHIFT_HIGH_VBUS_LIMIT_SINK	0111b: in sink power role, shifts nominal high voltage limit by 7 % of V <sub>BUS</sub>	22h
NVM/SW	SHIFT_LOW_VBUS_LIMIT_SINK	0101b: in sink power role, shifts nominal low voltage limit by -15 % of V <sub>BUS</sub>	22h
SW	SW_RESET_EN	0b: device reset is performed from hardware RESET pin	23h
NVM/SW	VBUS_DISCHARGE_TIME_TO_0V	1010b: 840 ms discharge time	25h
NVM	VBUS_DISCHARGE_DISABLE	0b: enables V <sub>BUS</sub> discharge path	n. a.
NVM/SW	CC_POWER_MODE	001b: sink power role with accessory support <sup>(1)</sup>	28h
NVM/SW	VDD_OVLO_DISABLE	0b: enables OVLO threshold detection on VDD pin	2Eh
NVM/SW	VBUS_VALID_RANGE_DISABLE	0b: enables valid V <sub>BUS</sub> voltage range detection	2Eh
NVM/SW	VBUS_VSAFE0V_THRESHOLD	00b: V <sub>BUS</sub> vSafe0V threshold = 0.6 V	2Eh
NVM/SW	VDD_UVLO_DISABLE	1b: disables UVLO threshold detection on VDD pin	2Eh

1. Indicates parameter customized by NVM re-programming

**V<sub>BUS</sub> power path assertion****Table 42. Conditions for V<sub>BUS</sub> power path assertion in sink power role**

Pin	Electrical value	Operation conditions			Comment
		Type-C attached state	VDD pin monitoring	VBUS_SENSE pin monitoring	
VBUS_EN_SNK	0	Attached.SNK or Debug Accessory.SNK	Not applicable	V <sub>BUS</sub> is within valid voltage range	The signal is asserted only if all the valid operation conditions are met
	HiZ	Any other state	Not applicable	V <sub>BUS</sub> is out of valid voltage range	The signal is de-asserted when at least one non valid operation condition is met.

Device state according to connection state

Table 43. Sink power role with accessory support

Connection state	CC1 pin	CC2 pin	Type-C device state CC_OPERATION_STATUS register @11h	A_B_SIDE pin	VCONN supply	VBUS_EN_SNK pin	CC_CONNECTION_STATUS register @0Eh
Nothing attached	Open	Open	(Toggling) Unattached.SNK Unattached.Accessory	HiZ	OFF	HiZ	00h
Source attached	Rp	Open or Ra	Attached.SNK	HiZ	OFF	0	41h
	Open or Ra	Rp		0	OFF	0	41h
Powered cable without source attached	Open	Ra	(Toggling) Unattached.SNK Unattached.Accessory	HiZ	OFF	HiZ	00h
	Ra	Open		HiZ	OFF	HiZ	00h
Debug accessory mode attached sink role	Rd	Rd	(Toggling) Unattached.SNK Unattached.Accessory	HiZ	OFF	HiZ	00h
Debug accessory mode attached source role	Rp Def/ 1.5A/ 3A	Rp Def/ 1.5A/ 3A	Debug Accessory.SNK (Default USB)	HiZ	OFF	0	61h
Debug accessory mode attached source role	Rp 3A	Rp 1.5A	Debug Accessory.SNK (Default USB)	HiZ	OFF	0	61h
	Rp 1.5A	Rp 3A		0	OFF	0	61h
Debug accessory mode attached source role	Rp 1.5A	Rp def.	Debug Accessory.SNK (1.5 A)	HiZ	OFF	0	61h
	Rp def.	Rp 1.5A		0	OFF	0	61h
Debug accessory mode attached source role	Rp 3A	Rp def.	Debug Accessory.SNK (3.0 A)	HiZ	OFF	0	61h
	Rp def.	Rp 3A		0	OFF	0	61h
Audio adapter accessory mode attached	Ra	Ra	Audio accessory	HiZ	OFF	HiZ	81h

**Table 43. Sink power role with accessory support (continued)**

Connection state	CC1 pin	CC2 pin	Type-C device state CC_OPERATION_STATUS register @11h	A_B_SIDE pin	VCONN supply	VBUS_EN_SNK pin	CC_CONNECTION_STATUS register @0Eh
VCONN-powered accessory attached	Rd	Ra	(Toggling) Unattached.SNK	HiZ	OFF	HiZ	00h
	Ra	Rd	Unattached.Accessory	HiZ	OFF	HiZ	00h

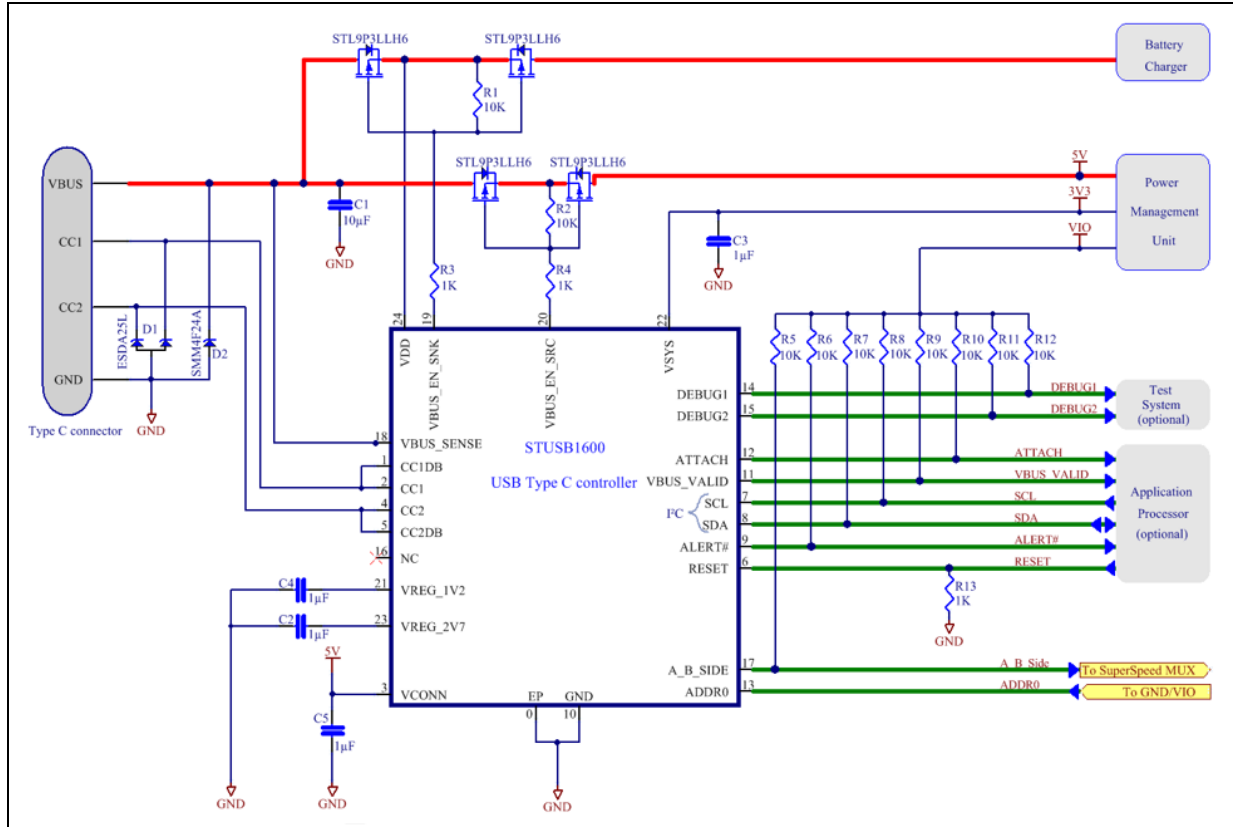
The value of the CC1 and CC2 pins is defined from a termination perspective and corresponds to the termination presented by the connected device.

The CC\_CONNECTION\_STATUS register can report other values than the one presented in [Table 43](#). In this table, it reflects the state transitions in Type-C FSM that can be ignored from the application stand point.

### 7.2.3 Dual role type application

#### Application schematic

Figure 9. Implementation example in dual role type application



Note: Schematic configuration is in dead battery mode

## Default start-up configuration

Table 44. Default setting for a dual role type application

Customization type	Parameter	Default value and description	I <sup>2</sup> C register address
NVM/SW	CC_CONNECTION_STATUS_AL_MASK	1b: interrupt masked	0Ch
NVM/SW	MONITORING_STATUS_AL_MASK	1b: interrupt masked	0Ch
NVM/SW	HW_FAULT_STATUS_AL_MASK	1b: interrupt masked	0Ch
NVM	STANDBY_POWER_MODE_DISABLE	1b: disables standby power mode	n. a.
NVM/SW	CC_CURRENT_ADVERTISED	00b: default USB Current, 500 mA or 900 mA	18h
NVM/SW	CC_VCONN_DISCHARGE_EN	0b: VCONN discharge disabled on CC pin	18h
NVM/SW	CC_VCONN_SUPPLY_EN	1b: VCONN supply capability enabled on CC pin	18h
NVM/SW	CC_VCONN_SWITCH_ILIM	0000b: 350 mA	1Eh
SW	VCONN_MONITORING_EN	1b: enables UVLO threshold detection on VCONN pin	20h
SW	VCONN_UVLO_THRESHOLD	0b: high UVLO threshold of 4.65 V	20h
NVM/SW	SHIFT_HIGH_VBUS_LIMIT_SOURCE	0111b: in source power role, shifts nominal high voltage limit by 7 % of V <sub>BUS</sub>	22h
NVM/SW	SHIFT_LOW_VBUS_LIMIT_SOURCE	0101b: in source power role, shifts nominal low voltage limit by -5 % of V <sub>BUS</sub>	22h
NVM/SW	SHIFT_HIGH_VBUS_LIMIT_SINK	0111b: in sink power role, shifts nominal high voltage limit by 7 % of V <sub>BUS</sub>	22h
NVM/SW	SHIFT_LOW_VBUS_LIMIT_SINK	1111b: in sink power role, shifts nominal high voltage limit by -15 % of V <sub>BUS</sub>	22h
SW	SW_RESET_EN	0b: device reset is performed from hardware RESET pin	23h
NVM/SW	VBUS_DISCHARGE_TIME_TO_0V	1010b: 840 ms discharge time	25h
NVM	VBUS_DISCHARGE_DISABLE	0b: enables V <sub>BUS</sub> discharge path	n. a.
NVM/SW	CC_POWER_MODE	011b: dual power role with accessory support	28h
NVM/SW	VDD_OVLO_DISABLE	0b: enables OVLO threshold detection on VDD pin	2Eh
NVM/SW	VBUS_VALID_RANGE_DISABLE	0b: enables valid V <sub>BUS</sub> voltage range detection	2Eh
NVM/SW	VBUS_VSAFE0V_THRESHOLD	00b: V <sub>BUS</sub> vSafe0V threshold = 0.6 V	2Eh
NVM/SW	VDD_UVLO_DISABLE	1b: disables UVLO threshold detection on VDD pin	2Eh

**V<sub>BUS</sub> power path assertion**

**Table 45. Conditions for V<sub>BUS</sub> power path assertion in source power role**

Pin	Electrical value	Operation conditions			Comment
		Type-C attached state	VDD pin monitoring	VBUS_SENSE pin monitoring	
VBUS_EN_SRC	0	Attached.SRC or UnorientedDebug Accessory.SRC or OrientedDebug Accessory.SRC	VDD < OVLO if VDD pin is supplied	V <sub>BUS</sub> is within valid voltage range	The signal is asserted only if all the valid operation conditions are met
	HiZ	Any other state	VDD > OVLO if VDD pin is supplied	V <sub>BUS</sub> is out of valid voltage range	The signal is de-asserted when at least one non valid operation condition is met.

**Table 46. Conditions for V<sub>BUS</sub> power path assertion in sink power role**

Pin	Electrical value	Operation conditions			Comment
		Type-C attached state	VDD pin monitoring	VBUS_SENSE pin monitoring	
VBUS_EN_SNK	0	Attached.SNK or Debug Accessory.SNK	Not applicable	V <sub>BUS</sub> is within valid voltage range	The signal is asserted only if all the valid operation conditions are met
	HiZ	Any other state	Not applicable	V <sub>BUS</sub> is out of valid voltage range	The signal is de-asserted when at least one non valid operation condition is met.



Device state according to connection state

Table 47. Dual power role with accessory support

Connection state	CC1 pin	CC2 pin	Type-C device state CC_OPERATION_STATUS register @11h	A_B_SIDE pin	VCONN supply	VBUS_EN_SRC pin	VBUS_EN_SNK pin	CC_CONNECTION_STATUS register @0Eh
Nothing attached	Open	Open	(Toggling) Unattached.SRC Unattached.SNK	HiZ	OFF	HiZ	HiZ	00h
Sink attached	Rd	Open	Attached.SRC	HiZ	OFF	0	HiZ	2Dh
	Open	Rd		0	OFF	0	HiZ	2Dh
Powered cable without sink or source attached	Open	Ra	(Toggling) Unattached.SRC Unattached.SNK	HiZ	OFF	HiZ	HiZ	00h
	Ra	Open		HiZ	OFF	HiZ	HiZ	00h
Powered cable with sink attached or VCONN-powered accessory attached	Rd	Ra	Attached.SRC	HiZ	CC2	0	HiZ	2Fh
	Ra	Rd		0	CC1	0	HiZ	2Fh
Debug accessory mode attached sink role	Rd	Rd	UnorientedDebug Accessory.SRC	HiZ	OFF	0	HiZ	6Dh
Debug accessory mode attached sink role	Rd	≤ Ra	OrientedDebug Accessory.SRC	HiZ	OFF	0	HiZ	6Dh
	≤ Ra	Rd		0	OFF	0	HiZ	6Dh
Audio adapter accessory mode attached	Ra	Ra	Audio accessory	HiZ	OFF	HiZ	HiZ	81h
Source attached	Rp	Open or Ra	Attached.SNK	HiZ	OFF	HiZ	0	41h
	Open or Ra	Rp		0	OFF	HiZ	0	41h
Debug accessory mode attached source role	Rp def/ 1.5A/ 3A	Rp def/ 1.5A/ 3A	Debug Accessory.SNK (Default USB)	HiZ	OFF	HiZ	0	61h

Table 47. Dual power role with accessory support (continued)

Connection state	CC1 pin	CC2 pin	Type-C device state CC_OPERATION_STATUS register @11h	A_B_SIDE pin	VCONN supply	VBUS_EN_SRC pin	VBUS_EN_SNK pin	CC_CONNECTION_STATUS register @0Eh
Debug accessory mode attached source role	Rp 3A	Rp 1.5A	Debug Accessory.SNK (Default USB)	HiZ	OFF	HiZ	0	61h
	Rp 1.5A	Rp 3A		0	OFF	HiZ	0	61h
Debug accessory mode attached source role	Rp 1.5A	Rp def.	Debug Accessory.SNK (1.5 A)	HiZ	OFF	HiZ	0	61h
	Rp def.	Rp 1.5A		0	OFF	HiZ	0	61h
Debug accessory mode attached source role	Rp 3A	Rp def.	Debug Accessory.SNK (3.0 A)	HiZ	OFF	HiZ	0	61h
	Rp def.	Rp 3A		0	OFF	HiZ	0	61h

The value of the CC1 and CC2 pins is defined from a termination perspective and corresponds to the termination presented by the connected device.

The CC\_CONNECTION\_STATUS register can report other values than the one presented in [Table 47](#). In this table, it reflects the state transitions in Type-C FSM that can be ignored from the application stand point.

## 8 Electrical characteristics

### 8.1 Absolute maximum ratings

All voltages are referenced to GND.

**Table 48. Absolute maximum ratings**

Symbol	Parameter	Value.	Unit
$V_{DD}$	Supply voltage on VDD pin	28	V
$V_{SYS}$	Supply voltage on VSYS pin	6	
$V_{CC1}, V_{CC2}$ $V_{CC1DB}, V_{CC2DB}$	High voltage on CC pins	22	
$V_{VBUS\_EN\_SRC}$ $V_{VBUS\_EN\_SNK}$ $V_{VBUS\_SENSE}$	High voltage on $V_{BUS}$ pins	28	
$V_{SCL}, V_{SDA}$ $V_{ALERT\#}$ $V_{RESET}$ $V_{A\_B\_SIDE}$	Operating voltage on I/O pins	-0.3 to 6	
$V_{CONN}$	$V_{CONN}$ voltage	6	
$T_{STG}$	Storage temperature	-55 to 150	°C
$T_J$	Maximum junction temperature	145	
ESD	Electrostatic discharge CDM: contact discharge model - IEC61000-4-2	2	kV

## 8.2 Operating conditions

Table 49. Operating conditions

Symbol	Parameter	Value	Unit
$V_{DD}$	Supply voltage on VDD pin	4.1 to 22	V
$V_{SYS}$	Supply voltage on $V_{SYS}$ pin	3.0 to 5.5	
$V_{CC1}, V_{CC2}$ $V_{CC1DB}, V_{CC2DB}$	CC pins	0 to 5.5	
$V_{VBUS\_EN\_SRC}$ $V_{VBUS\_EN\_SNK}$ $V_{VBUS\_SENSE}$	High voltage pins	0 to 22	
$V_{SCL}, V_{SDA}$ $V_{ALERT\#}$ $V_{RESET}$ $V_{A\_B\_SIDE}$	Operating voltage on I/O pins	0 to 4.5	
$V_{CONN}$	$V_{CONN}$ voltage	2.7 to 5.5	
$I_{CONN}$	$V_{CONN}$ rated current (default = 0.35 A)	0.1 to 0.6	A
$T_A$	Operating temperature	-40 to 105	°C

### 8.3 Electrical and timing characteristics

Unless otherwise specified:  $V_{DD} = 5\text{ V}$ ,  $T_A = 25\text{ }^\circ\text{C}$ , all voltages are referenced to GND.

**Table 50. Electrical characteristics**

Symbol	Parameter	Conditions	Min.	Typ.	Max.	Unit
$I_{DD(SRC)}$	Current consumption	Device idle as a SOURCE (not connected, no communication) $V_{SYS} @ 3.3\text{ V}$ $V_{DD} @ 5.0\text{ V}$		158 188		$\mu\text{A}$ $\mu\text{A}$
$I_{DD(SNK)}$	Current consumption	Device idle as a SINK (not connected, no communication) $V_{SYS} @ 3.3\text{ V}$ $V_{DD} @ 5.0\text{ V}$		113 140		$\mu\text{A}$ $\mu\text{A}$
$I_{STDBY}$	Standby current consumption	Device in standby (not connected, low power) $V_{SYS} @ 3.3\text{ V}$ $V_{DD} @ 5.0\text{ V}$		33 53		$\mu\text{A}$ $\mu\text{A}$
CC1 and CC2 pins						
$I_{P-USB}$ $I_{P-1.5}$ $I_{P-3.0}$	CC current sources	CC pin voltage, $V_{CC} = 0\text{ to }2.6\text{ V}$ , $40\text{ }^\circ\text{C} < T_A < +105\text{ }^\circ\text{C}$	-20% -8% -8%	80 180 330	20% 8% 8%	$\mu\text{A}$ $\mu\text{A}$ $\mu\text{A}$
$V_{CCO}$	CC open pin voltage	CC unconnected, $V_{DD} = 3.0\text{ to }5.5\text{ V}$	2.75			V
$R_d$	CC pull-down resistors	$-40\text{ }^\circ\text{C} < T_A < 105\text{ }^\circ\text{C}$	-10%	5.1	+10%	k $\Omega$
$V_{CCDB-1.5}$ $V_{CCDB-3.0}$	CC pin voltage in dead battery condition	External $I_P = 180\text{ }\mu\text{A}$ applied into CC, external $I_P = 330\text{ }\mu\text{A}$ applied into CC, $V_{DD} = 0\text{ V}$ , dead-battery function enabled			1.2 2.0	V V
$R_{INCC}$	CC input impedance	Pull-up and pull-down resistors off	200			k $\Omega$
$V_{TH0.2}$	Detection threshold 1	Max $R_a$ detection by source at $I_P = I_{P-USB}$ , min $I_{P-USB}$ detection by sink on $R_d$ , min CC voltage for connected sink	0.15	0.20	0.25	V
$V_{TH0.4}$	Detection threshold 2	Max $R_a$ detection by source at $I_P = I_{P-1.5}$	0.35	0.40	0.45	V
$V_{TH0.66}$	Detection threshold 3	Min $I_{P-1.5}$ detection by sink on $R_d$	0.61	0.66	0.70	V
$V_{TH0.8}$	Detection threshold 4	Max $R_a$ detection by source at $I_P = I_{P-3.0}$	0.75	0.80	0.85	V
$V_{TH1.23}$	Detection threshold 5	Min $I_{P-3.0}$ detection by sink on $R_d$	1.16	1.23	1.31	V

Table 50. Electrical characteristics (continued)

Symbol	Parameter	Conditions	Min.	Typ.	Max.	Unit
$V_{TH1.6}$	Detection threshold 6	Max $R_d$ detection by source at $I_P = I_{P-USB}$ and $I_P = I_{P-1.5}$	1.50	1.60	1.65	V
$V_{TH2.6}$	Detection threshold 7	Max $R_d$ detection by source at $I_{P-3.0}$ , max CC voltage for connected sink	2.45	2.60	2.75	V
<b><math>V_{CONN}</math> protection</b>						
$R_{VCONN}$	$V_{CONN}$ path resistance	$I_{VCONN} = 0.2$ A, $-40$ °C < $T_A$ < $105$ °C	0.25	0.5	0.975	Ω
$I_{OCP}$	Overcurrent protection	Programmable current limit threshold (from 100 mA to 600mA by step of 50 mA)	85 300 550	100 350 600	125 400 650	mA
$V_{OVP}$	Output-over voltage protection		5.9	6	6.1	V
$V_{UVP}$	Input undervoltage protection	Low UVLO threshold High UVLO threshold (default)	2.6 4.6		2.7 4.8	V
<b>VBUS monitoring and driving</b>						
$V_{THUSB}$	$V_{BUS}$ presence threshold	$V_{SYS} = 3.0$ to $5.5$ V	3.8	3.9	4.0	V
$V_{TH0V}$	$V_{BUS}$ safe 0 V threshold (vSafe0V)	$V_{SYS} = 3.0$ to $5.5$ V, threshold programmable from 0.6 V to 1.8 V, default $V_{TH0V} = 0.6$ V	0.5 0.8 1.1 1.7	0.6 0.9 1.2 1.8	0.7 1.0 1.3 1.9	V V V V
$R_{DISUSB}$	$V_{BUS}$ discharge resistor		600	700	800	Ω
$T_{DISUSB}$	$V_{BUS}$ discharge time to 0V	Coefficient $T_{DISPARAM}$ programmable by NVM, default $T_{DISPARAM} = 10$ , $T_{DISUSB} = 840$ ms	$70^*$ $T_{DISPARAM}$	$84^*$ $T_{DISPARAM}$	$100^*$ $T_{DISPARAM}$	ms
$V_{MONUSBH}$	$V_{BUS}$ monitoring high voltage limit in source power role	$V_{BUS} = 5.0$ V nominal voltage, threshold limit programmable by NVM from $V_{BUS}+5\%$ to $V_{BUS}+20\%$ , default $V_{MONUSBH Source} = V_{BUS}+12\%$		$V_{BUS}+12\%$		V
	$V_{BUS}$ monitoring high voltage limit in sink power role	$V_{BUS} = 5.0$ V nominal voltage, threshold limit programmable by NVM from $V_{BUS}+5\%$ to $V_{BUS}+20\%$ , default $V_{MONUSBH Sink} = V_{BUS}+12\%$		$V_{BUS}+12\%$		V

Table 50. Electrical characteristics (continued)

Symbol	Parameter	Conditions	Min.	Typ.	Max.	Unit
V <sub>MONUSBL</sub>	V <sub>BUS</sub> monitoring low voltage limit in source power role	V <sub>BUS</sub> = 5.0 V nominal voltage, threshold limit programmable by NVM from V <sub>BUS</sub> -5% to V <sub>BUS</sub> -20%, default V <sub>MONUSBL</sub> Source = V <sub>BUS</sub> -10%		V <sub>BUS</sub> - 10%		V
	V <sub>BUS</sub> monitoring low voltage limit in sink power role	V <sub>BUS</sub> = 5.0 V nominal voltage, threshold limit programmable by NVM from V <sub>BUS</sub> -5% to V <sub>BUS</sub> -20%, default V <sub>MONUSBL</sub> Sink = V <sub>BUS</sub> -20%		V <sub>BUS</sub> - 20%		V
<b>Digital input/output (SCL, SDA, ALERT#, A_B_SIDE)</b>						
V <sub>IH</sub>	High level input voltage		1.2			V
V <sub>IL</sub>	Low level input voltage				0.35	V
V <sub>OL</sub>	Low level output voltage	I <sub>oh</sub> = 3 mA			0.4	V
<b>20 V open drain outputs (VBUS_EN_SRC, VBUS_EN_SNK)</b>						
V <sub>OL</sub>	Low level output voltage	I <sub>oh</sub> = 3 mA			0.4	V

## 9 Package information

In order to meet environmental requirements, ST offers these devices in different grades of ECOPACK® packages, depending on their level of environmental compliance. ECOPACK® specifications, grade definitions and product status are available at: [www.st.com](http://www.st.com). ECOPACK® is an ST trademark.

### 9.1 QFN24 EP 4x4 mm package information

Figure 10. QFN24 EP 4x4 mm package outline

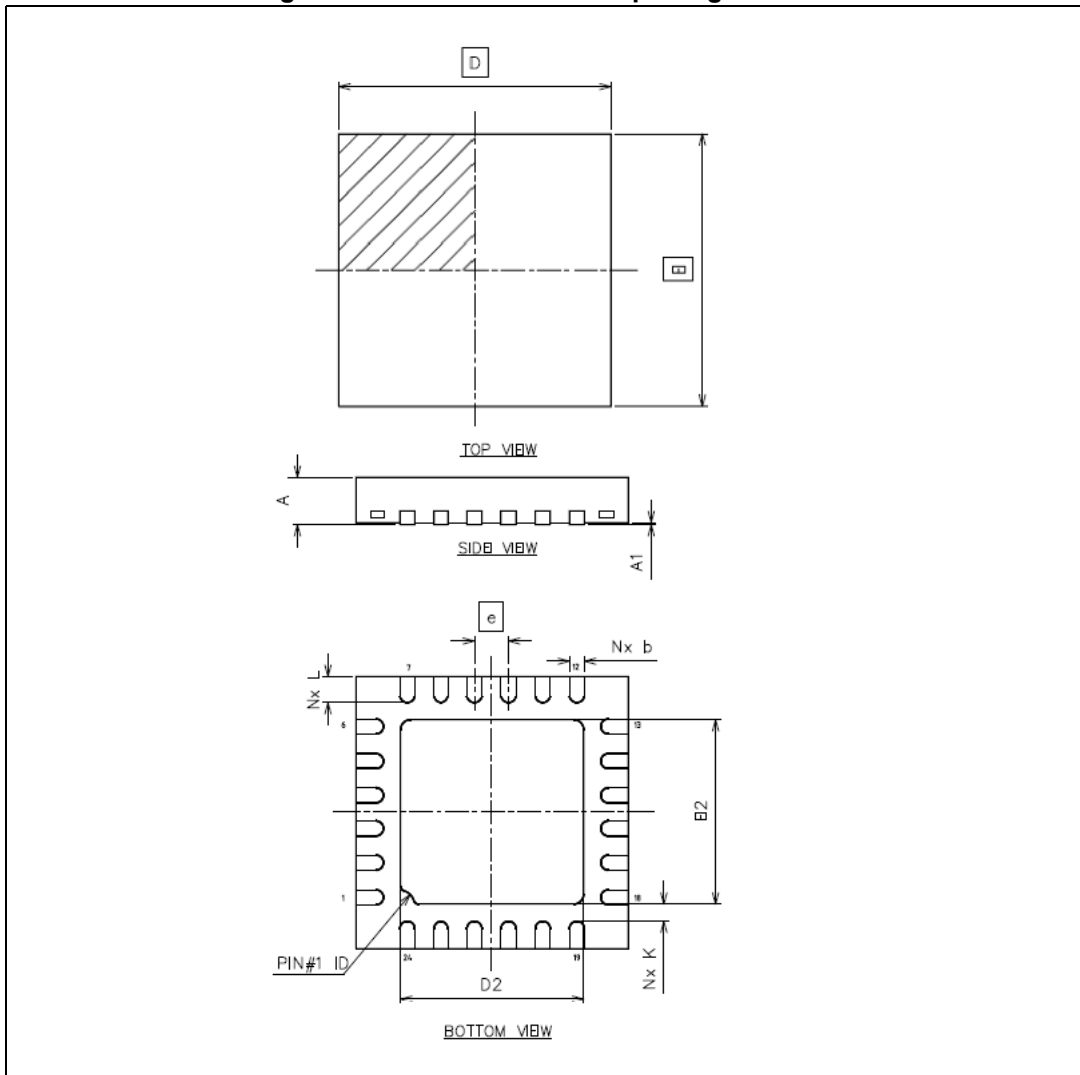
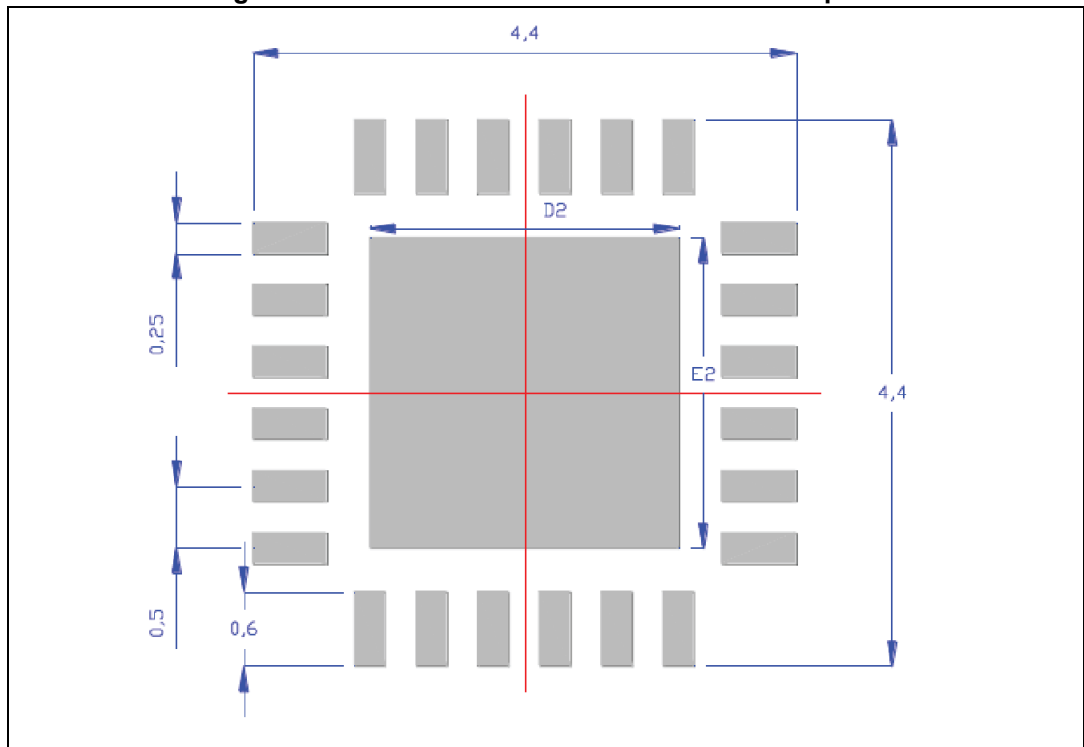




Table 51. QFN24 EP 4x4 mm mechanical data

Ref.	Millimeters			Inches		
	Min	Typ	Max	Min	Typ	Max
A	0.80	0.90	1.00	0.031	0.035	0.039
A1	0.00	0.02	0.05	0.000	0.001	0.002
b	0.18	0.25	0.30	0.007	0.010	0.012
D	3.95	4.00	4.05	0.156	0.157	0.159
D2	2.55	2.70	2.80	0.100	0.106	0.110
E	3.95	4.00	4.05	0.156	0.157	0.159
E2	2.55	2.70	2.80	0.100	0.106	0.110
e	0.45	0.50	0.55	0.018	0.020	0.022
K	0.15	—	—	0.006	—	—
L	0.30	0.40	0.50	0.012	0.016	0.020

Figure 11. QFN24 EP 4x4 mm recommended footprint



## 9.2 Thermal Information

**Table 52. Thermal information**

Symbol	Parameter	Value	Unit
$R_{\theta JA}$	Junction-to-ambient thermal resistance	37	°C/W
$R_{\theta JC}$	Junction-to-case thermal resistance	5	

## 10 Terms and abbreviations

**Table 53. List of terms and abbreviations**

Term	Description
Accessory modes	Audio adapter accessory mode. It is defined by the presence of Ra/Ra on the CC1/CC2 pins.
	Debug accessory mode. It is defined by the presence of Rd/Rd on CC1/CC2 pins in Source power role or Rp/Rp on CC1/CC2 pins in Sink power role.
DFP	Downstream Facing Port, specifically associated with the flow of data in a USB connection. Typically, the ports on a HOST or the ports on a hub to which devices are connected. In its initial state, the DFP sources $V_{BUS}$ and $V_{CONN}$ and supports data.
DRP	Dual-role port. A port that can operate as either a source or a sink. The port's role may be changed dynamically.
Sink	Port asserting Rd on the CC pins and consuming power from the $V_{BUS}$ ; most commonly a device.
Source	Port asserting Rp on the CC pins and providing power over the $V_{BUS}$ ; most commonly a host or hub DFP.
UFP	Upstream Facing Port, specifically associated with the flow of data in a USB connection. The port on a device or a hub that connects to a host or the DFP of a hub. In its initial state, the UFP sinks the $V_{BUS}$ and supports data.

## 11 Revision history

**Table 54. Document revision history**

Date	Revision	Changes
30-Nov-2016	1	Initial release

**IMPORTANT NOTICE – PLEASE READ CAREFULLY**

STMicroelectronics NV and its subsidiaries ("ST") reserve the right to make changes, corrections, enhancements, modifications, and improvements to ST products and/or to this document at any time without notice. Purchasers should obtain the latest relevant information on ST products before placing orders. ST products are sold pursuant to ST's terms and conditions of sale in place at the time of order acknowledgement.

Purchasers are solely responsible for the choice, selection, and use of ST products and ST assumes no liability for application assistance or the design of Purchasers' products.

No license, express or implied, to any intellectual property right is granted by ST herein.

Resale of ST products with provisions different from the information set forth herein shall void any warranty granted by ST for such product.

ST and the ST logo are trademarks of ST. All other product or service names are the property of their respective owners.

Information in this document supersedes and replaces information previously supplied in any prior versions of this document.

© 2016 STMicroelectronics – All rights reserved

