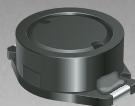


LEAD FREE
VERSIONS ARE
ROHS COMPLIANT



BOURNS®

Features

- Available in E12 series
- Unit height of 3 mm
- Current up to 3 A
- Lead free version available (see How to Order)
- Lead free versions are RoHS compliant*

Applications

- Input/output of DC/DC converters
- Power supplies for:
 - Portable communication equipment
 - Camcorders
 - LCD TVs
 - Car radios

SRR6603 Series - Shielded Power Inductors

Electrical Specifications

Bourns Part No.	Inductance 100kHz		Q Ref.	Test Frequency (kHz) Q	SRF Nom. (MHz)	RDC Max. (Ω)	IDC Max. (A)
	(μH)	Tol. %					
SRR6603-1R0M_	1.0	± 20	30	200	250	0.040	3.00
SRR6603-1R5M_	1.5	± 20	30	200	125	0.045	2.80
SRR6603-2R2M_	2.2	± 20	40	200	120	0.050	1.80
SRR6603-3R3M_	3.3	± 20	40	200	120	0.055	1.60
SRR6603-4R7M_	4.7	± 20	40	200	105	0.060	1.40
SRR6603-6R8M_	6.8	± 20	40	200	50	0.065	1.20
SRR6603-100M_	10.0	± 20	40	200	38	0.075	1.00
SRR6603-150M_	15.0	± 20	40	100	33	0.090	0.80
SRR6603-220M_	22.0	± 20	40	100	25	0.110	0.70
SRR6603-330M_	33.0	± 20	40	100	20	0.190	0.60
SRR6603-470M_	47.0	± 20	40	100	20	0.230	0.50
SRR6603-680M_	68.0	± 20	40	100	15	0.290	0.40
SRR6603-101M_	100.0	± 20	40	100	10	0.480	0.30
SRR6603-151M_	150.0	± 20	40	100	9	0.590	0.26
SRR6603-221M_	220.0	± 20	40	100	6	0.770	0.22
SRR6603-331M_	330.0	± 20	40	100	5	1.400	0.20
SRR6603-471M_	470.0	± 20	40	100	4	1.800	0.19
SRR6603-681M_	680.0	± 20	40	100	3	2.200	0.18
SRR6603-102M_	1000.0	± 20	40	100	2	3.400	0.15
SRR6603-152M_	1500.0	± 20	50	100	2	4.200	0.12
SRR6603-222M_	2200.0	± 20	50	100	2	8.500	0.10
SRR6603-332M_	3300.0	± 20	50	100	1	11.000	0.08
SRR6603-472M_	4700.0	± 20	50	100	1	13.900	0.06
SRR6603-682M_	6800.0	± 20	50	100	1	25.000	0.04
SRR6603-103M_	10000.0	± 20	50	100	0.8	32.800	0.02

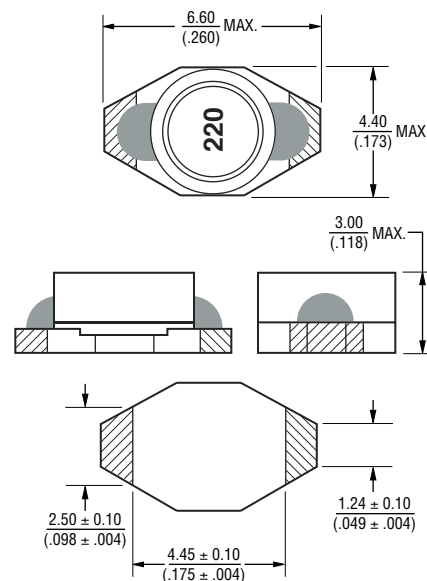
General Specifications

Test Voltage.....0.1 V
 Reflow Soldering ...230 °C, 10 sec. max.
 Operating Temperature ..-40 °C to +125 °C
 (Temperature rise included)
 Storage Temperature..-40 °C to +105 °C
 Resistance to Soldering Heat
260 °C for 10 sec.

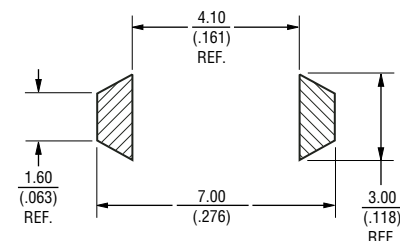
Materials

Core.....Ferrite DR & RI core
 Wire.....Enameled copper
 BaseCeramic
 Temperature Rise
30 °C max. at rated I_{rms}
 Packaging.....600 pcs. per reel

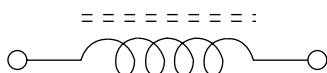
Product Dimensions



Recommended Layout



Electrical Schematic



How to Order

SRR6603 - 100M

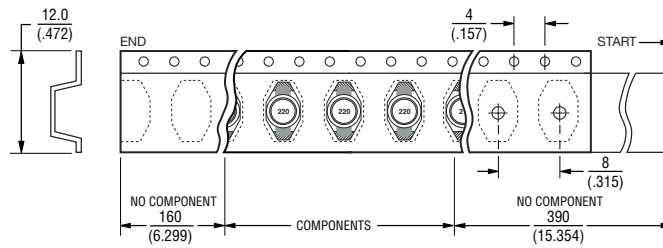
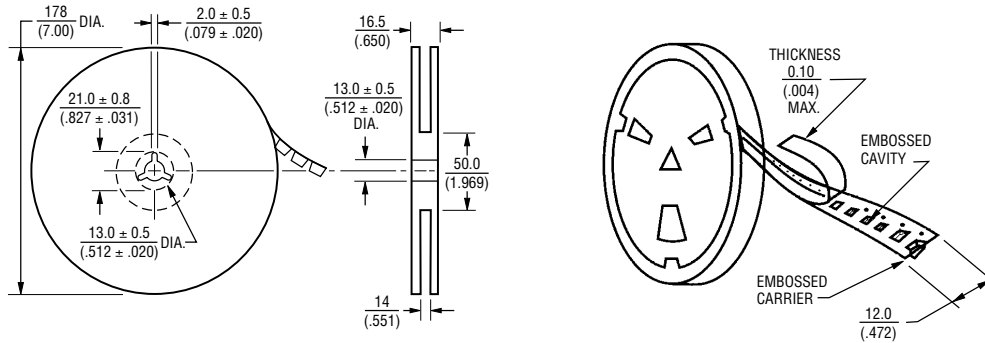
Model _____
 Value/Tolerance: from table _____
 Termination _____
 L = Cu/Ni/Au
 Blank = Cu/Ni/SnPb

*RoHS Directive 2002/95/EC Jan 27 2003 including Annex
 Specifications are subject to change without notice.
 Customers should verify actual device performance in their specific applications.

SRR6603 Series - Shielded Power Inductors

BOURNS®

Packaging Specifications



USER DIRECTION OF FEED →

QTY: 600 PCS. PER REEL

DIMENSIONS: $\frac{\text{MM}}{\text{(INCHES)}}$

REV. 11/04

Specifications are subject to change without notice.

Customers should verify actual device performance in their specific applications.