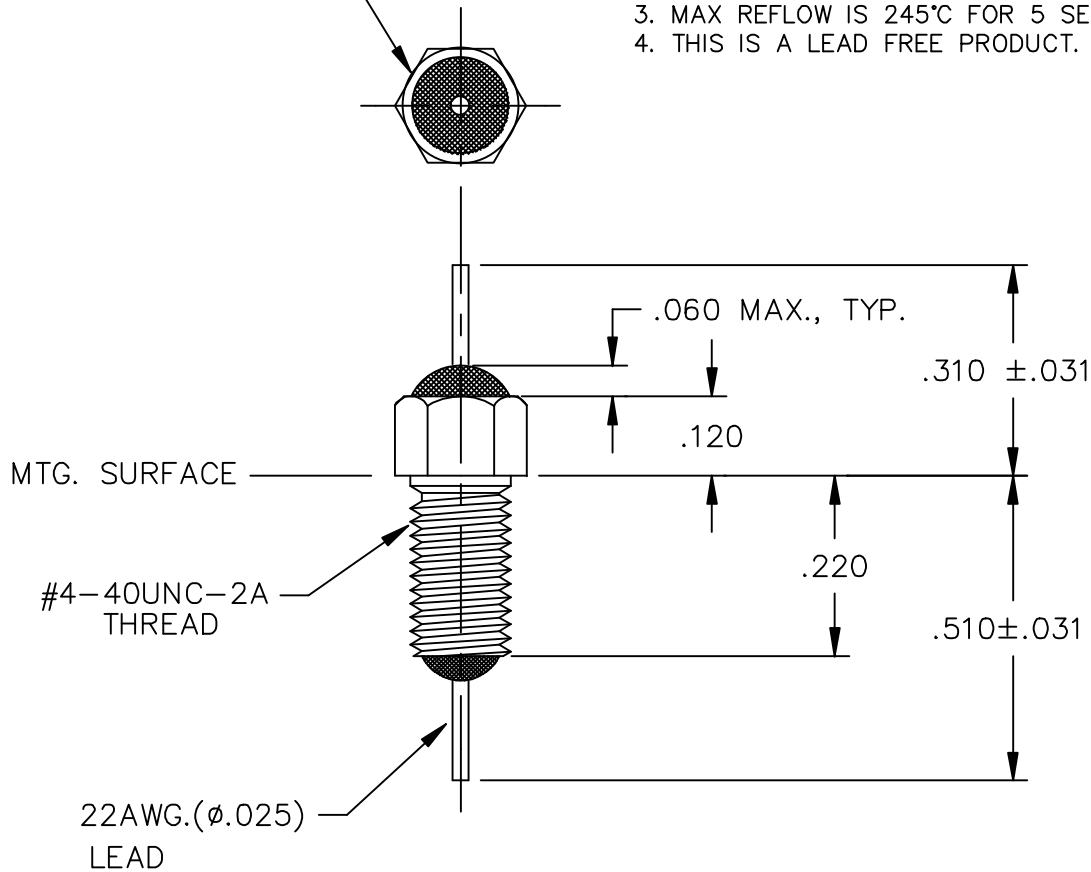


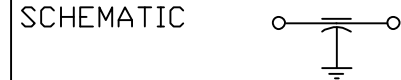
.156 HEX

NOTES:

1. MAXIMUM MOUNTING TORQUE = 1.5in/lbs.
2. HARDWARE IS INCLUDED.
3. MAX REFLOW IS 245°C FOR 5 SECONDS.
4. THIS IS A LEAD FREE PRODUCT.



LEAD FINISH: SILVER	
BUSHING FINISH: SILVER	
CAPACITANCE	1000pF GMV
TEMP. RANGE	-55°C TO 125°C
CURRENT	10 AMP MAX.
WORKING VOLTAGE	125°C 300 VDC MAX.
D.C. RESISTANCE	.01ohms MAX.
MIN. I.L. PER MIL-STD-220 AT 25°C NO LOAD	
FREQ. MHz	I.L. (db)
30	9
100	20
1 GHz	35

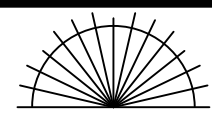


MARKING:

PART: SF102P

BAG: SCI 54F-790-018
 DATE CODE
 LOT#
 QTY/BAG (200 MAX.)



									00	REV. NO.	TOLERANCES UNLESS OTHERWISE SPECIFIED	 SPECTRUM CONTROL INC.	FAIRVIEW PENNSYLVANIA	
									CN 30519-CPD	CHANGE NOTICE	Fractions ± 1/64		Dwn. SLAGLE	Description FEED THRU RESIN SEAL FILTER
											Dec. .xx±		Date 9/27/06	
											Dec. .xxx±.010		Engr. D. REILLY	
											Angles ±0° 30'		DO NOT SCALE	54F-790-018
											CODE IDENT. NO. 0LSP2			