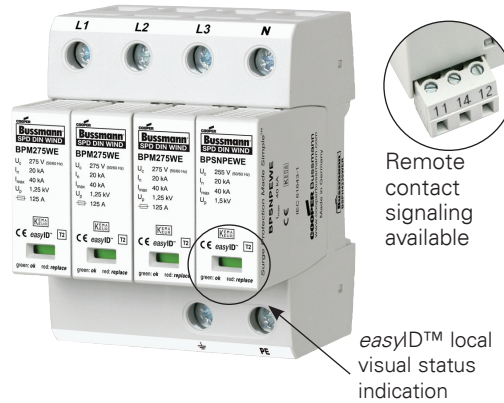


## Four-pole IEC Class II surge arresters for 230/400V TN-S and TT wind power systems



Remote contact signaling available

easyID™ local visual status indication

### Catalog symbol:

- BSPH4230WE
- BSPH4230WER
- BSPM4230WE
- BSPM4230WER

### Description:

Eaton's Bussmann™ series four-pole IEC Class II modular surge arresters feature local, *easyID*™ visual indication and optional remote contact signaling. The unique module locking system fixes the protection module to the base part. Modules can be easily replaced without tools by simply depressing the release buttons. Integrated mechanical coding between the base and protection module ensures against installing an incorrect replacement module.

These 230 Volt models are offered with MCOV ratings of 275 volts.

### TN-S system arresters

The features of these four-pole devices are for use in TNS 230/400 volt systems ("4-0" circuit) against surges.

### TT system arrester

The features of these four-pole devices are for use in TT and TN-S 230/400 volt systems ("3+1" circuit) against surges.

### Optional remote contact signaling

The three-pole terminal remote contact signaling option has a floating changeover contact for use as a break or make contact, according to circuit concept.

### Specifications:

#### System volts

- 230/400Vac

#### System types

- TN-S
- TT

#### Agency information

- CE
- KEMA
- RoHS compliant

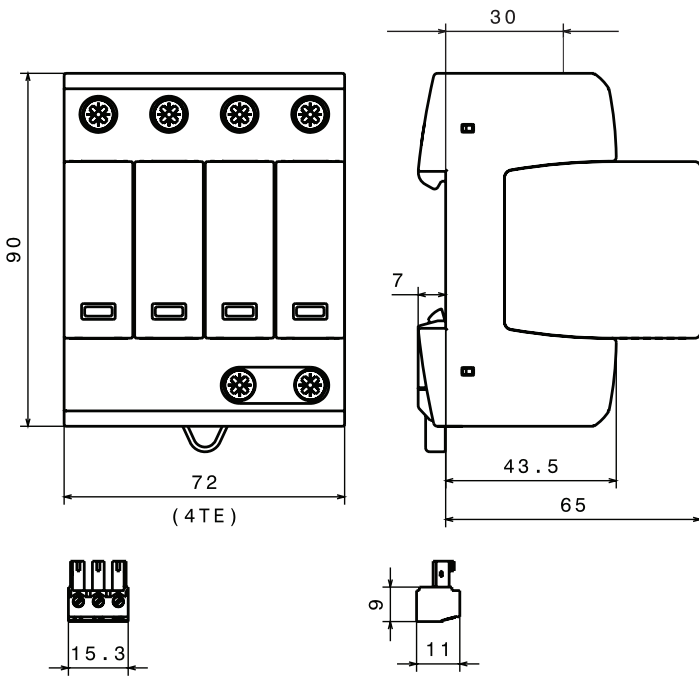
#### Mounting

- 35mm DIN-Rail

#### Warranty

- Five years

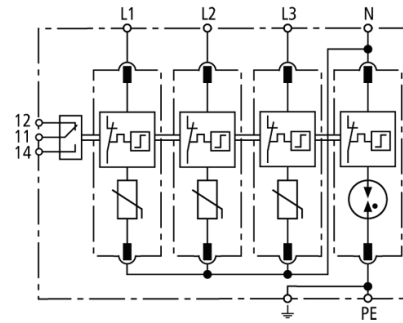
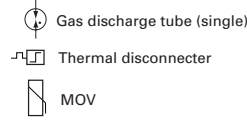
**Dimensions - mm:**



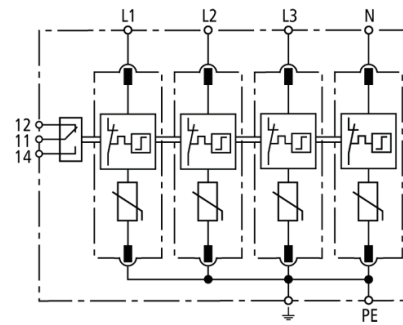
Shown with optional remote contact signaling.

**Module circuit diagrams:**

Shown with optional remote contact signaling.



BSPH4230WE(R)



BSPM4230WE(R)

**Recommended Bussmann series NH DIN back up fuses**

Size	Fuse catalog number
00	125NHG00B

## Ordering information:

System voltage (50-60Hz) / poles		230/400V / 4	230/400V / 4
Max. Continuous Operating Voltage (MCOV) $[U_c]$ AC (50-60Hz)	[UC]	275V	—
	[L-N] $[U_c]$	—	275V
	[N-PE] $[U_c]$	—	255V
Catalog numbers	W/O remote signaling	BSPM4230WE	BSPH4230WE
	W/ remote signaling	BSPM4230WER	BSPH4230WER
Replacement modules	MOV technology	BPM275WE	BPM275WE
	Spark gap technology	—	BPSNPEWE*

Specifications				
Line system type		TN-S	TT / TN-S	
Nominal AC voltage (50-60Hz) $[U_N]$		230 / 400V	230 / 400V	
Lightning impulse current (10/350 $\mu$ s) [N-PE] $[I_{imp}]$		—	12kA	
Voltage protection level	$[U_p]$	$\leq 1.25kV$	—	
	at 5kA $[U_p]$	$\leq 1kV$	—	
	[L-N] $[U_p]$	—	$\leq 1.25kV$	
	[L-N] at 5kA $[U_p]$	—	$\leq 1kV$	
	[N-PE] $[U_p]$	—	$\leq 1.5kV$	
Follow current extinguishing capability [N-PE] $[I_{fc}]$		—	100A <sub>rms</sub>	
Response time	$[t_A]$	$\leq 25$ ns	—	
	[L-N] $[t_A]$	—	$\leq 25$ ns	
	[N-PE] $[t_A]$	—	$\leq 100$ ns	
Temporary overvoltage (TOV)	$[U_T]$	Withstand	335V / 5 sec.	
		Safe failure	—	
	[L-N] $[U_T]$	Withstand	—	335V / 5 sec.
		Safe failure	—	—
	[N-PE] $[U_T]$	Withstand	—	1200V / 200 ms
		Safe failure	—	—
SPD according to		EN 61643-11 Type 2, IEC 61643-11 Class II		
Nominal discharge current (8/20 $\mu$ s) $[I_n]$		20kA		
Max. discharge current (8/20 $\mu$ s) $[I_{max}]$		40kA		
Max. mains-side overcurrent protection		125A gG		
Short-circuit withstand capability for max. mains-side overcurrent protection $(I_{SCCR})$		50kA <sub>rms</sub>		
Operating environment $[T_U]$		-40°C to +80°C, 5% to 95% RH		
Operating state/fault indication		Green (good) / Red (replace)		
Number of ports		1		
Cross-sectional area	Min.	1.5mm <sup>2</sup> / 14AWG solid / flexible		
	Max.	35mm <sup>2</sup> / 2AWG stranded — 25mm <sup>2</sup> / 4AWG flexible		
Mounting		35mm DIN-Rail per EN 60715		
Enclosure material		Thermoplastic, UL 94V0		
Location category		Indoor		
Degree of protection		IP20 (built-in)		
Capacity (DIN 43880)		4 Mods.		
Agency information		KEMA		
Product warranty		Five years**		

Remote contact signaling			
Remote contact signaling type		Changeover contact	
Switching capacity (volts/amperes)	AC	250V / 0.5A	
	DC	250V / 0.1A; 125V / 0.2A; 75V / 0.5A	
Conductor ratings and cross-sectional area		60/75°C max. 1.5mm <sup>2</sup> / 14AWG solid/flexible	
Ordering Information		Order from catalog numbers above	

\* N-PE surge arrester module for location between neutral conductor and protective conductor in TT systems.

\*\* See Eaton Bussmann series SPD limited warranty statement (3A1502) for details at [www.cooperbussmann.com/surge](http://www.cooperbussmann.com/surge).

The only controlled copy of this data sheet is the electronic read-only version located on the Eaton network drive. All other copies of this document are by definition uncontrolled. This bulletin is intended to clearly present comprehensive product data and provide technical information that will help the end user with design applications. Eaton reserves the right, without notice, to change design or construction of any products and to discontinue or limit distribution of any products. Eaton also reserves the right to change or update, without notice, any technical information contained in this bulletin. Once a product has been selected, it should be tested by the user in all possible applications.

**Eaton**  
1000 Eaton Boulevard  
Cleveland, OH 44122  
Eaton.com

Bussmann Division  
114 Old State Road  
Ellisville, MO 63021  
United States  
Eaton.com/bussmannseries

© 2015 Eaton  
All Rights Reserved  
Printed in USA  
Publication No. 2095 — MC-SB15XXX  
December 2015



Eaton and Bussmann are valuable trademarks of Eaton in the U.S. and other countries. You are not permitted to use the Eaton trademarks without prior written consent of Eaton.

For Eaton's Bussmann series product information, call **1-855-287-7626** or visit: **Eaton.com/bussmannseries**

Follow us on social media to get the latest product and support information.

