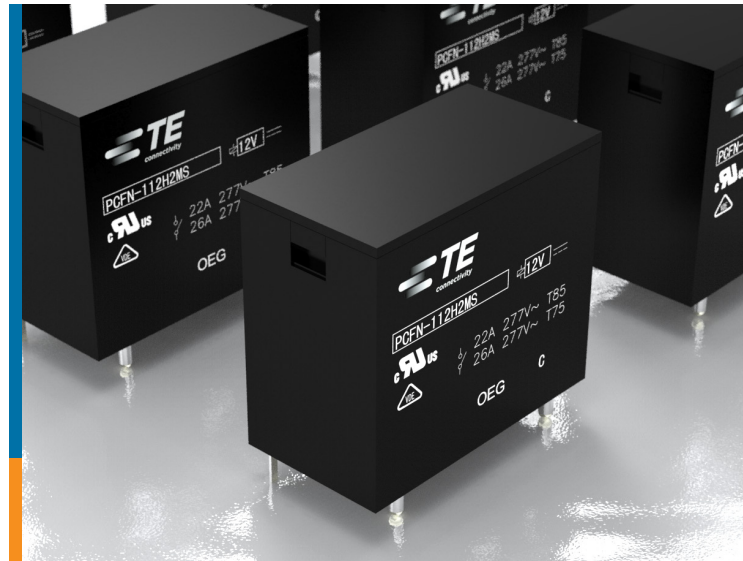


PCFN SOLAR

High Performance Power PCB Relay



TE Connectivity has expanded the PCFN Solar Relay line to include a new high performance relay with larger (> 1.8 mm) contact gaps to support extended insulation requirements for use in photovoltaic applications. With the same mechanical dimensions as the standard PCFN solar relays, the new high performance version has increased thermal performance up to 90°C and features a 1.5 W coil with low holding power of 200 mW to help lower energy costs.

Contact data

- Contact arrangement: 1 form A (NO)
- Contact gap: > 1.8 mm
- Rated voltage: 277 VAC
- Rated current: 26 A at 75 °C,
- Breaking capacity max.: 7200 VA
- Contact material: AgSnO2

Coil Data

- Rated coil voltage: 12 VDC and 24 VDC
- UL coil insulation system: Class F
- Rated coil power: 1.5 W¹

Insulation Data

- Initial dielectric strength:
 - Open contacts: 2500 V rms
 - Contact and coil: 4000 V rms
- Clearance/creepage: 6.1 mm

Mechanical

- Ambient temperature: -25 to + 90 °C¹
- Vibration resistance: 10g
- Shock resistance: 100g

¹ Ambient temperature: >23 °C requires reduction of coil voltage to 37%...50% of rated coil voltage after 100 ms

Key Benefits

- Compact size for PCB applications
- Meets IEC 62109-2 requirement for > 1.8 mm contact gap
- Energy efficient holding power of 200 mW

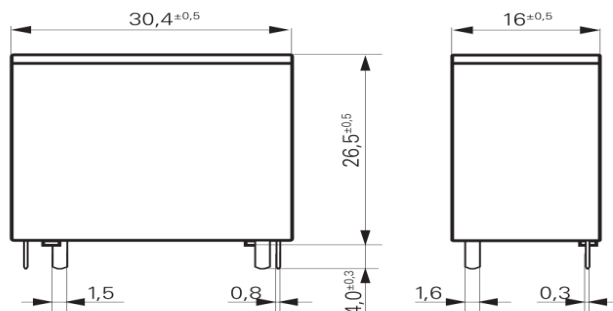
Applications

- Photovoltaic inverters
- Charging stations
- Electrical grid disconnects

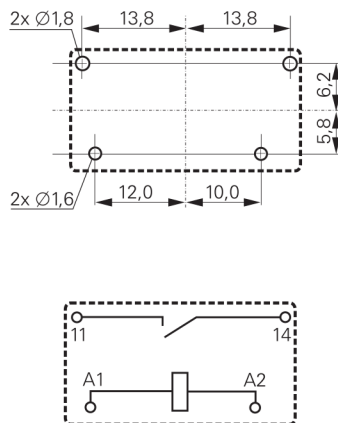
Product Offering

Product Code	Part Number	Version	Contact arrangement	Contact material	Coil
PCFN-112H2MS	2071169-1	PCB, flux tight	1 form A (NO) contact	AgSnO ₂	12 VDC
PCFN-124H2MS	2071169-2	PCB, flux tight	1 form A (NO) contact	AgSnO ₂	24 VDC

Product Dimensions



PCB Layout / Terminal Assignment *(Bottom view on solder pins)*



NOTE: it is recommended to connect the grid (phase or neutral line) to pin 11 of the PCFN Solar.

© 2014 TE Connectivity Ltd. family of companies. All Rights Reserved
 TE Connectivity and TE connectivity (logo) are trademarks. Other logos, product and/or company names might be trademarks of their respective owners.

USA: 1-800-522-6752
 Canada: +1-905-475-6222
 Mexico: +52 (0) 55-1106-0800

Latin/S. America: +54 (0) 11-4733-2200
 Germany: +49 (0) 6251-133-1999
 UK: +44 (0) 800-267666

France: +33 (0) 1-3420-8686
 Netherlands: +31 (0) 73-6246-999
 China: +86 (0) 400-820-6015

1-1773734-2 JG5 PDF 05/2014