

C0402X5R0G332M020BC

TDK Item Description : C0402X5R0G332MT****

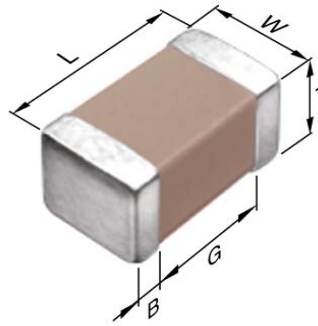


Application & Main Feature

Commercial Grade (General (Up to 50V))

Series

C0402 [EIA CC01005]



Dimensions

L 0.40mm +/-0.02mm
 W 0.20mm +/-0.02mm
 T 0.20mm +/-0.02mm
 B 0.07mm Min.
 G 0.14mm Min.

Temperature Characteristic

X5R (-55 to 85 degC +/-15%)

Rated Voltage

0G (4Vdc)

Capacitance

3.3nF

Capacitance Tolerance

M (+/-20%)

Dissipation Factor

10% Max.

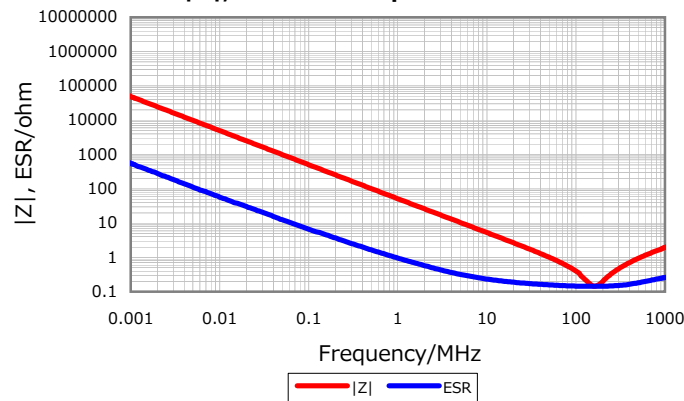
Insulation Resistance

10Gohm Min.

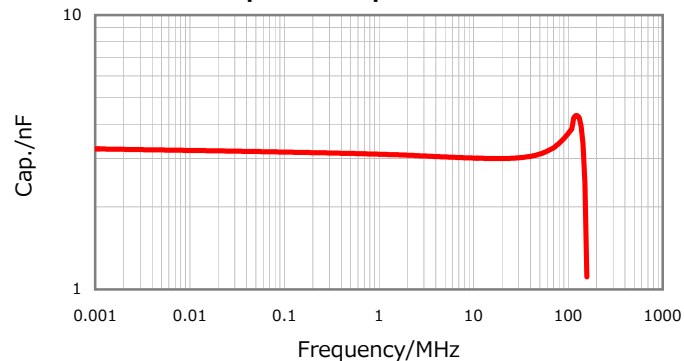
AEC-Q200

Not Applicable

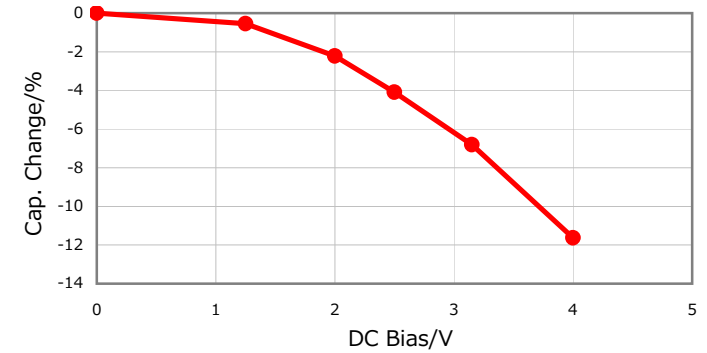
|Z|, ESR vs. Freq. Characteristics



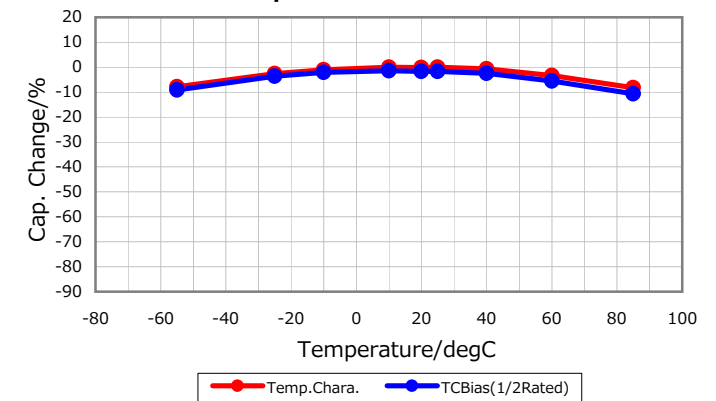
Cap. vs. Freq. Characteristic



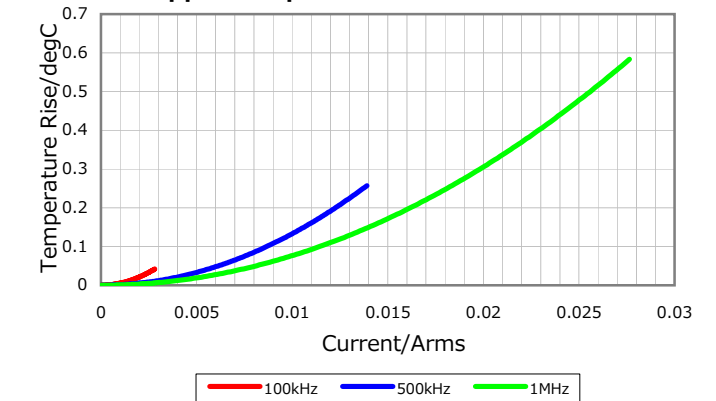
DC Bias Characteristic



Temperature Characteristics



Ripple Temperature Rise Characteristics



Characterization Sheet (Multilayer Ceramic Chip Capacitors)



All specifications are subject to change without notice.

January 2, 2016