

# CGA8R4C0G2E104J320KN

TDK Item Description : CGA8R4C0G2E104JT\*\*\*

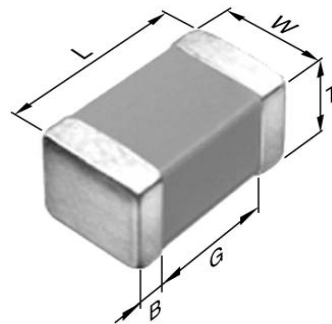


## Application & Main Feature

Automotive Grade ( Mid Voltage (100 to 630V) )

## Series

CGA8(4532) [EIA CC1812]



## Dimensions

L 4.50mm +/-0.4mm  
W 3.20mm +/-0.4mm  
T 3.20mm +/-0.3mm  
B 0.20mm Min.  
G

## Temperature Characteristic

C0G (-55 to 125 degC 0+/-30ppm/degC)

## Rated Voltage

2E (250Vdc)

## Capacitance

100nF

## Capacitance Tolerance

J (+/-5%)

## Q Factor

1000 Min.

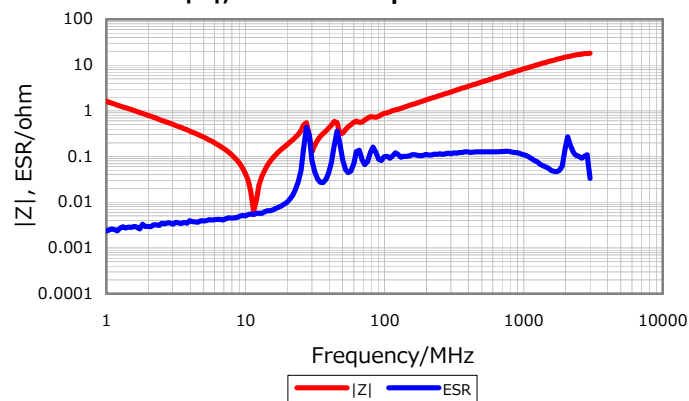
## Insulation Resistance

5Gohm Min.

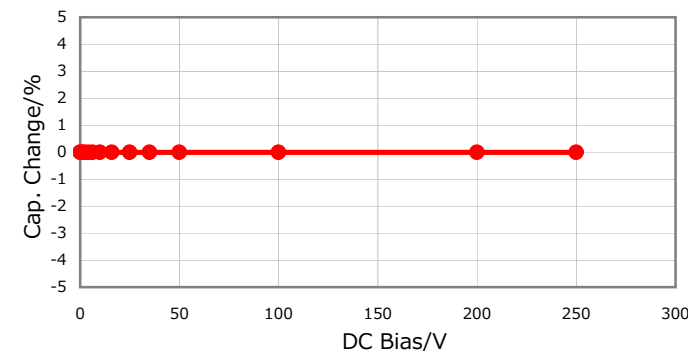
## AEC-Q200

Yes

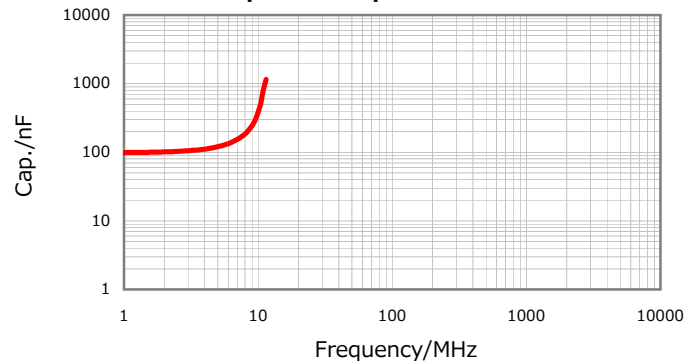
### |Z|, ESR vs. Freq. Characteristics



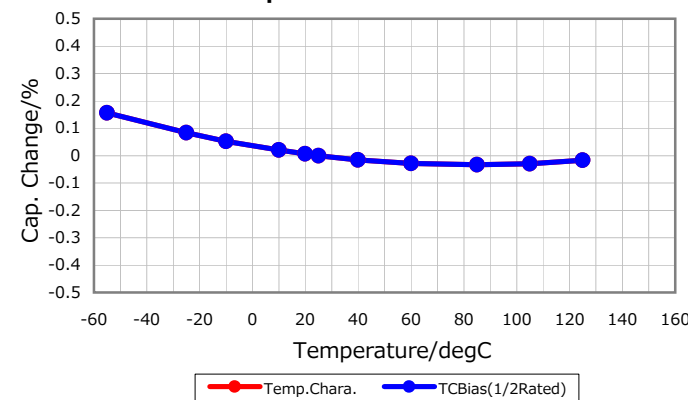
### DC Bias Characteristic



### Cap. vs. Freq. Characteristic



### Temperature Characteristics



Characterization Sheet ( Multilayer Ceramic Chip Capacitors )



All specifications are subject to change without notice.

January 4, 2016